

Portable Used Fluid Drain

Description

Model 8592 is a portable **non-pressurized** drain designed to safely capture fluids drained from vehicles on service lifts.

Specifications

Tank Capacity	105.7 Qt./100 Lt.
Top of Sight Gauge	95 Qt./90Lt.
Drain Bowl Capacity	17 Qt./16 Lt.
Height at Highest Position	78 in./198cm
Height at Lowest Position	51 in./130cm

Owner/Operator Responsibility

It is the owner/operator responsibility to properly use and maintain this equipment. The instructions and warnings contained in this manual shall be read and understood by the owner/operator prior to operating this equipment. If an owner/operator does not understand English, the contents of this manual shall be explained in the owner/operator's native language to assure that the owner/operator comprehends. The owner/operator shall retain this manual for the future reference to important warnings, operating and maintenance instructions.

General Safety Standards

The Standards listed below must be observed to prevent injury to operators and damage to the Used Fluid Drain.

- Read all Labels on the Used Fluid Drain carefully, do not cover them and replace them immediately if damaged.
- The Used Fluid Drain must only be used by authorized personal trained in its use.

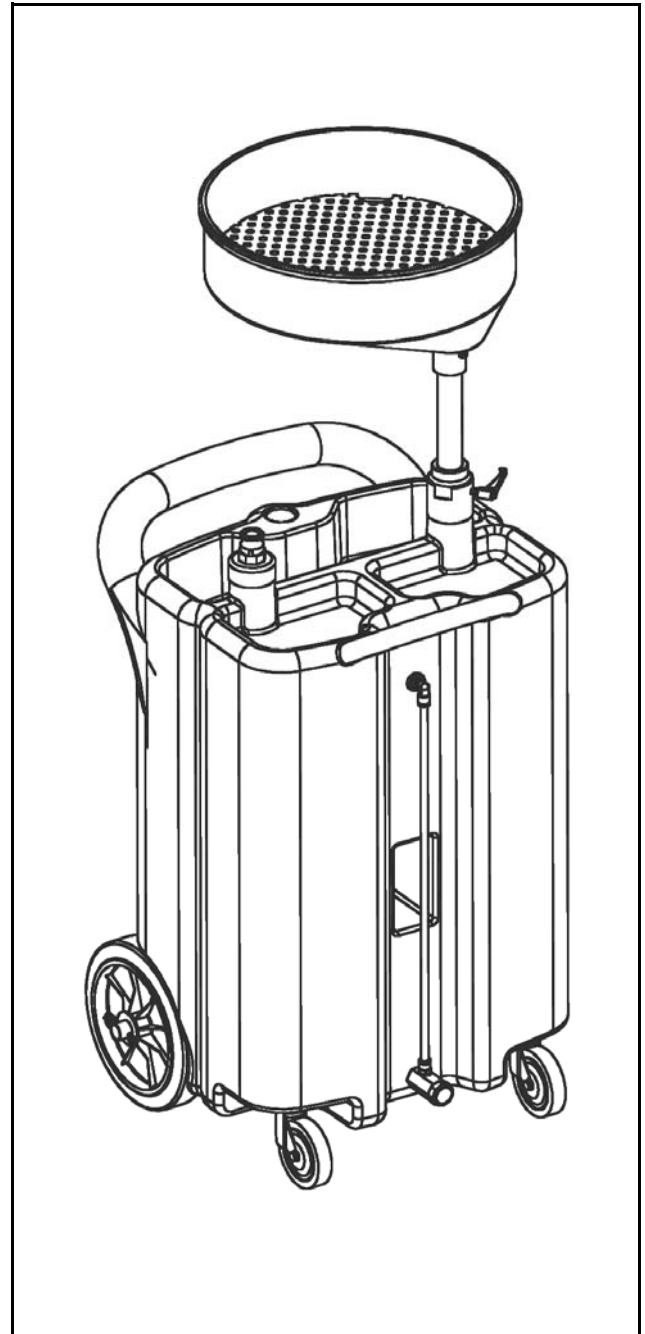


Figure 1 *Portable Used Fluid Drain
Model 8592*

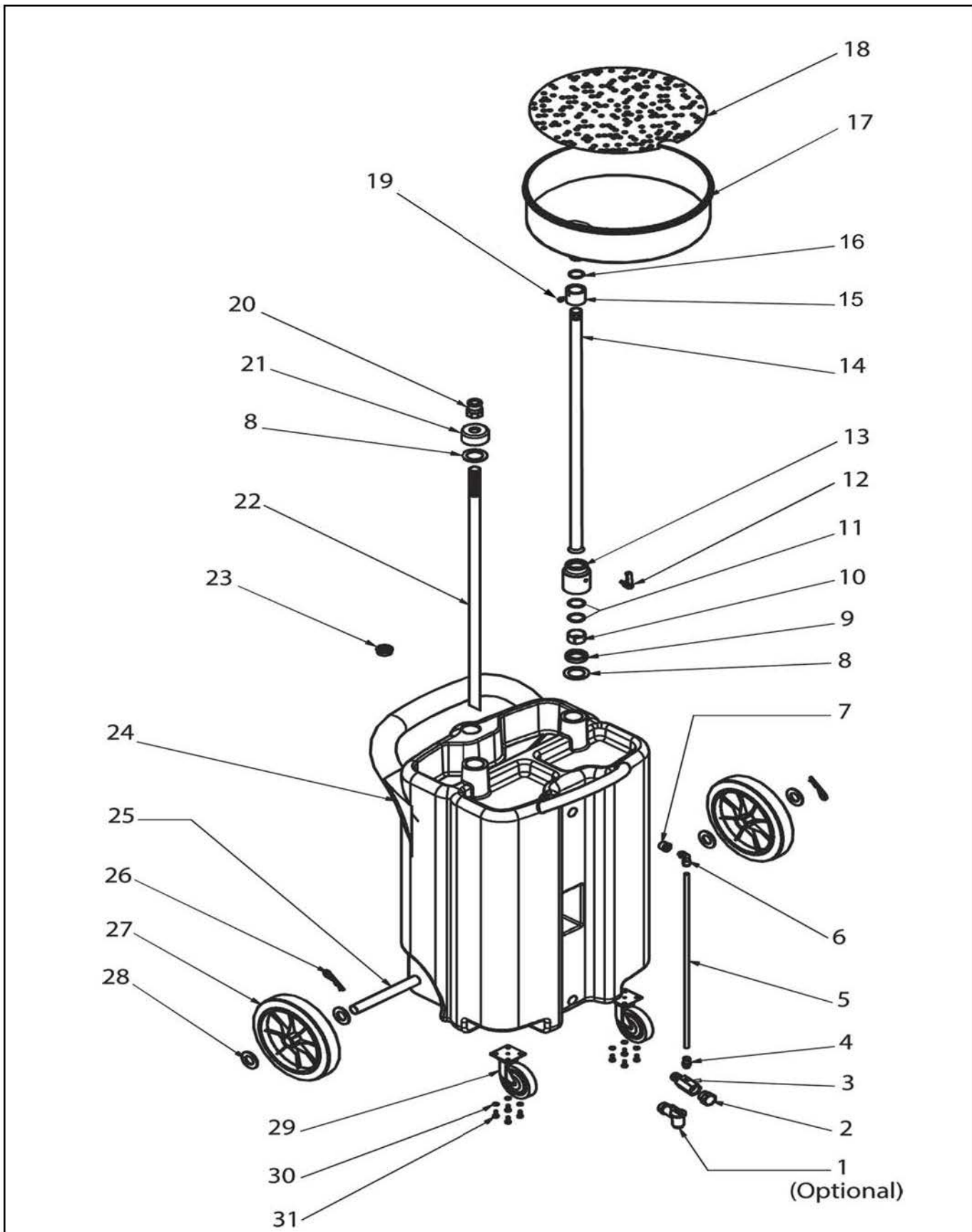


Figure 2- Portable Used Fluid Drain Model 8592 - Exploded View

Item No.	Part No.	Description	Qty	Notes	Kit Numbers
1	343349	Spigot, Plastic - 3/4" NPT	1	*	
2		Plug, 3/4" NPT	1	See Kit tables for availability	393808-10
3		Lower Connection	1		393808-10
4		Fitting, Push-In 1/4"	1		393808-4
5		Sight Gauge	1		393808-4
6		Elbow	1		393808-4
7		Adapter, 1/2"M X 1/4"F	1		393808-4
8		Seal, 2"	2		393808-7, 393808-8, 393808-9
9		Seal, Shaft	1		393808-7, 393808-8
10		Lock-ring, Split	1		393808-7, 393808-8
11		O-Ring 4131	2		393808-5, 393808-7, 393808-8
12	343340	Knob	1		393808-7
13		Fitting, Pipe Holder	1		393808-7
14		Drain Tube	1		393808-7
15		Bushing	1		393808-6
16		O-Ring 4100	1		393808-5, 393808-6,
17	343327	Funnel Assembly	1		
18	343326	Screen	1		
19		Screw, SHCap	1		393808-6
20	343343	Connector, Cam Lock 3/4"	1		393808-9
21		Plug, 2"	1		393808-9
22		Pipe, Suction	1		393808-9
23	343341	Plastic Cap	1		
24		Plastic Tank	1		
25		Axle	1		393808-2
26		Pin, Cotter	2		393808-2, 393808-3
27		Wheel Rubber	2		393808-3
28		Washer, Flat - 26 mm	4		393808-2, 393808-3
29		Wheel, Castor	2		393808-1
30		Washer, Lock	8		393808-1
31		Screw, Cross Head - M6 X 16	8		393808-1
Legend: Part numbers left blank are not available separately. * Accessory - not part of drain assembly					

KITS

393808-1	Caster Kit	Qty	Item #
	Screw, Pan Head - M6 X 16	8	31
	Washer, Lock	8	30
	Wheel, Caster	2	29

393808-6	Funnel Bushing Kit	Qty	Item #
	Funnel Bushing	1	16
	O-Ring 4100	1	15
	Screw, SHCap	1	19

393808-2	Axle Kit	Qty	Item #
343331	Axle	1	25
	Washer, Flat - 26 mm	4	28
	Pin, Cotter	2	26

393808-7	Drain Tube Kit	Qty	Item #
	Lock-ring, Split	1	10
	Drain Tube	1	14
	Seal, 2"	2	8
	Fitting, Pipe Holder	1	13
	O-Ring- 4131	2	11
343340	Knob	1	12
	Seal, Shaft	1	9

393808-3	Rear Wheel Kit	Qty	Item #
	Washer, Flat - 26 mm	2	28
	Pin, Cotter	1	26
	Wheel, Rubber	1	27

393808-8	Holder Seals Kit	Qty	Item #
	Lock-ring, Split	1	10
	Seal 2"	2	8
	O-ring 4131	2	11
	Seal, Shaft	1	9

393808-4	Sight Gauge Kit	Qty	Item #
	Sight Gauge	1	5
	Adapter, 1/2"M X 1/4" F	1	7
	Elbow	1	6
	Fitting, Push-In 1/4"	1	4

393808-9	Suction Pipe Kit	Qty	Item #
	Pipe, Suction	1	22
	Seal, 2"	2	8
	Plug, 2"	1	21
343343	Connector, Cam Lock 3/4"	1	20

393808-5	O-Ring Kit	Qty	Item #
	O-Ring4131	2	11
	O-Ring 4100	1	15

393808-10	Lower Connection Kit	Qty	Item #
	Plug, 3/4"NPT	1	2
	Lower Connection	1	3

- **NEVER** leave Drain unattended when operating or evacuating.
- **NEVER** use Drain near open flame or heat source.
- **NEVER** use Drain for handling highly volatile fuels and fluids.
- Do not use acid solutions which could damage the Drain and/or injure persons.
- The Drain will remain in place up to a maximum gradient of 0.5%, before beginning to slide.

- If the Drain malfunctions, contact the dealer or send it to the nearest service center.
- When replacing parts, always demand ORIGINAL replacement parts from an authorized Alemite dealer or retailer.

Inspection

Prior to operation or maintenance, a visual inspection shall be made. Check for worn, damaged, loose and/or missing parts.

If the Drain is damaged, badly worn or operates abnormally, it should be removed from service. Contact a factory authorized service center for repair.

An annual tank/component inspection is recommended to be performed by a factory authorized service center.

Tank Maintenance

CAUTION

IMPORTANT! Do not use cleaning solutions that can damage plastic containers.

The Drain does not require any special maintenance, other than normal cleaning, which should be done with a damp cloth (water and alcohol or normal detergent for household appliances made out of plastic).

Emptying the tank

CAUTION

It is highly recommended that the tank be emptied and cleaned of all sediments through a frequently scheduled maintenance.

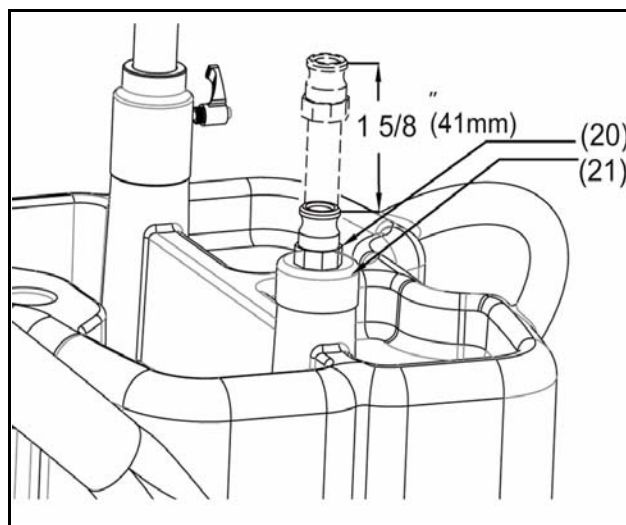
Before the tank approaches maximum fill (as seen through the Sight-Gauge (5)), empty the tank by connecting Camlock Fitting (20) to an Evacuation System. The length of Suction Pipe (22) ensures that it clears the tank bottom to prevent solids and sediments from being sucked into and damaging the evacuation pump.

Sediments may build up high enough to start clogging the Suction Pipe (22) before the next scheduled tank purge. A stop-gap feature has been designed into the Suction Pipe (22) to enable oil evacuation to proceed temporarily (See Figure 3).

1. Apply a wrench to Camlock Fitting (20) and turn it counter clockwise. [If necessary, secure Plug (21) with a pipe wrench to hold it stationary.]
2. Raise the Suction Pipe (22) to a maximum height of 1-5/8 inches (41mm).

3. Connect Camlock Fitting (20) to an evacuation system and complete emptying of the tank.
4. Schedule a tank purge as soon as possible before the tank fills up with more sediments and solids.
5. Upon completion of the tank purge, turn Camlock Fitting (20) clockwise as far down as possible to reset the Suction Tube (22) height.

Figure 3: Raising Suction Piping



Purging The Tank

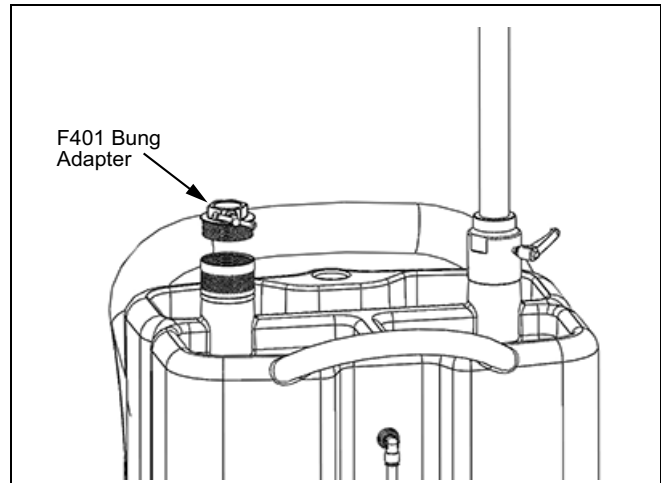
It may not be possible to safely purge the tank of solids and sediments on the tank bottom using the suction of an Evacuation System. We recommend the following steps to completely purge the tank bottom of sediments:

1. Evacuate the tank off all fluids using an Evgacuation System.
2. Remove plug (2) on the Lower Connection (3).
3. Flush tank with water on normal detergent until tank bottom is free of all solids and sediments.
4. Reinstall Plug (2) and check for leaks.
5. Upon completion of the tank purge, turn Camlock Fitting (20) clockwise as far down as possible to reset the Suction Tube (22) height.

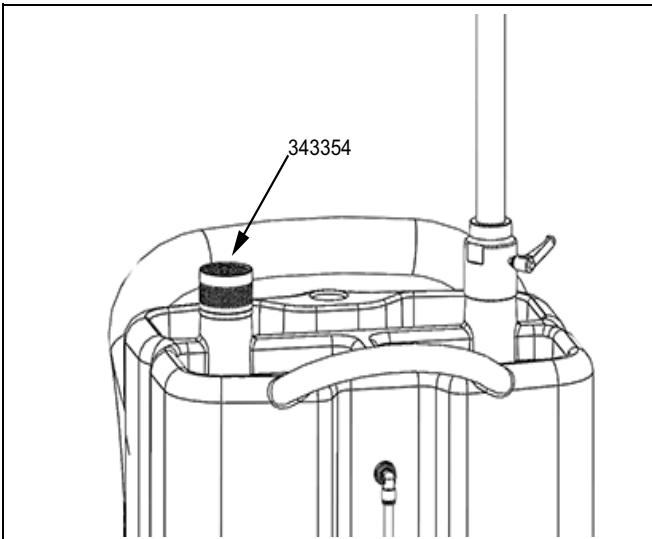
Accessories

343354 Bung Adapter F401 Rotary Hand Pump

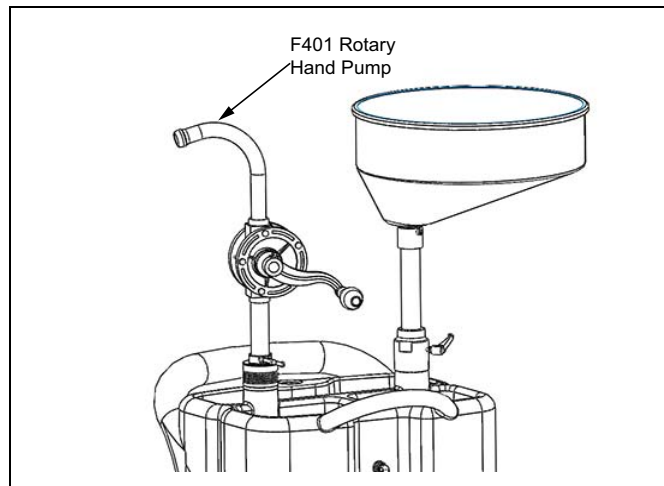
Where an evacuation system is not available, the tank can easily be emptied with an F401 Rotary Hand Pump. The Rotary Hand Pump is installed on the tank in place of the Camlock fitting/suction tube assembly using the special bung adapter 343354. The Rotary Hand Pump and the Bung Adapter can be purchased separately.



Step 2: Install Bung Adapter from F401 Hand Pump package onto 343354 Bung Adapter.



Step 1: Install 343354 Bung Adapter (with indicator groove down) on Drain in place of original Camlock/Suction Tube Assembly.



Step 3: Install F401 Hand Pump Assembly in its Bung Adapter and tighten Thumbscrew to position pump. Do not over tighten screw.