

PRK Centrifugal pumps, hydrostatic sealing

Technical data

- Delivery rate
 $Q_{\max} = 175 \text{ l/min}$
- Delivery head
 $H_{\max} = 33 \text{ m}$
- Temperature range
 $T = +5 \text{ °C to } +60 \text{ °C}$
- Kinematic viscosity
 $\nu_{\max} = 20 \text{ mm}^2/\text{s}$





PRK – Immersion pumps, hydrostatic sealing

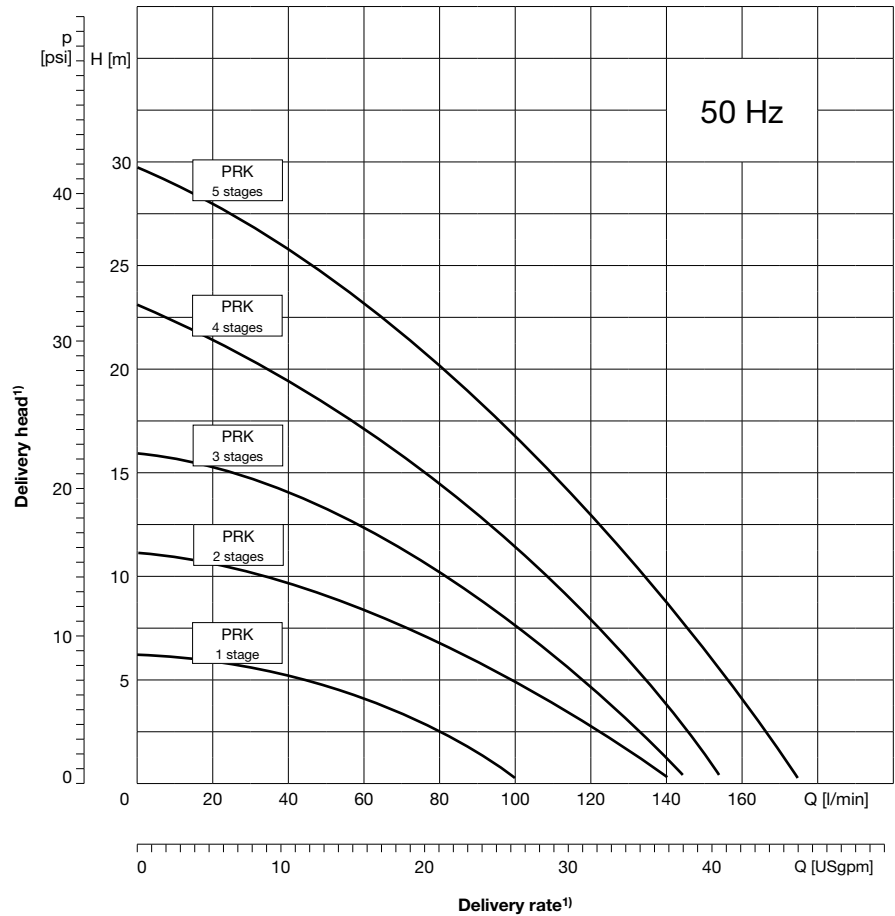
50 Hz, open impellers



PRK

Features

- Vertical multistage pump, hydrostatic sealing
- For delivery of slightly contaminated types of fluids
- Installation directly into the reservoir
- Pressure port is located above the reservoir plate and designed with internal thread G3/4
- Wide range of immersion depths 90-410 mm



Technical data

Delivery rate Q_{max}	175 l/min
Delivery head H_{max}	29 m
Immersion depth t_{max}	375 mm
Kinematic viscosity	max. 20 mm ² /s
Delivery temperature	+5 °C to +60 °C
Grain size	max. Ø3 mm
Contamination	max. 50 g/m ³
Direction of rotation	anti-clockwise (as viewed looking down on the motor's ventilation side)
Fluids delivered	Emulsions, cooling and cutting oils, cleaning liquids, water, mild acids

Mechanical design

Component	Material
Flange	POM
Base	PPS
Shaft	Stainless steel 1.4122
Impeller	POM
Diffuser	PP
Intermediate chamber	PPS
Bearings	Deep groove ball bearing with covering disk
Pumps bottom	PP
Elastomers	NBR

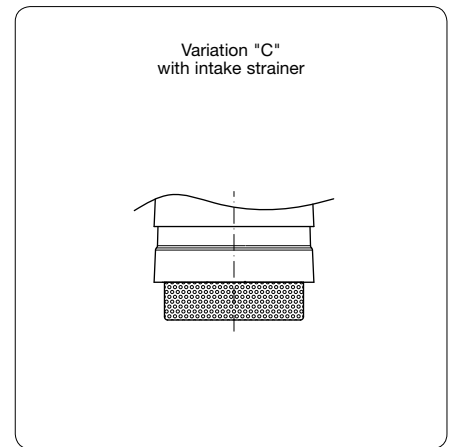
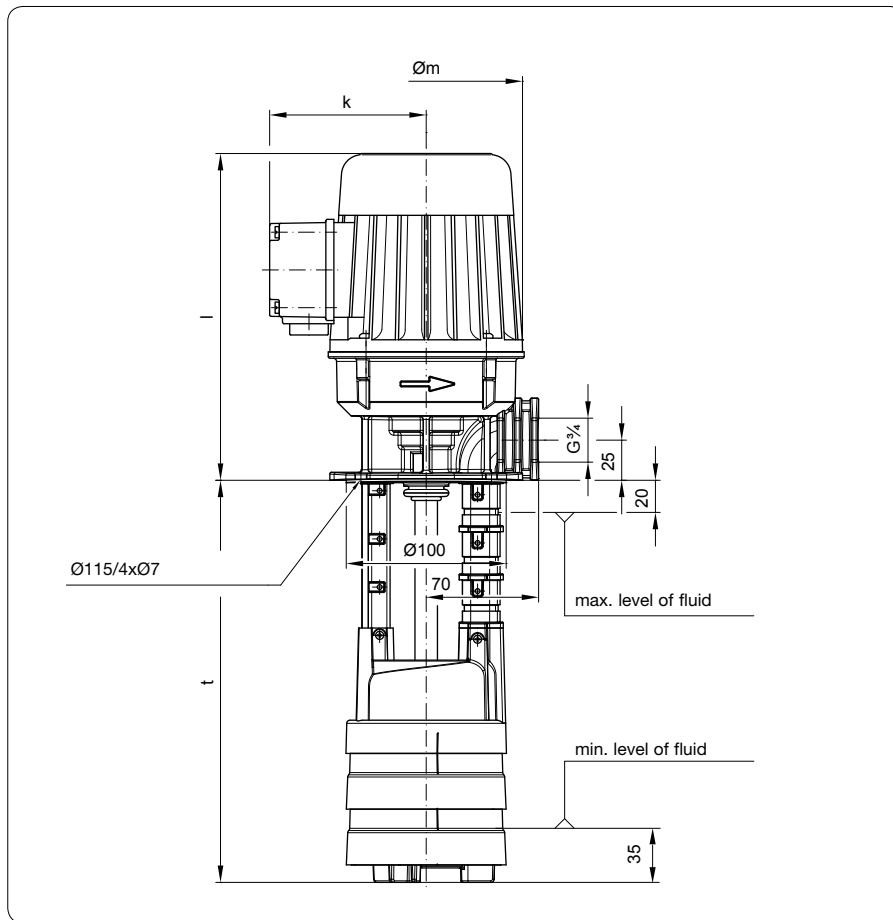
Variations

Component	Material
Intake strainer	Stainless steel 1.4301
Extension tube	PP

¹⁾ Data for viscosity of ~1 mm²/s at a density of ~1 kg/dm³. Minimum volumetric flow: 5 to 10 % of nominal delivery rate.

PRK – Immersion pumps, hydrostatic sealing

50 Hz, open impellers



PRK

Electrical data, dimensions and weights at 50 Hz

Type of pump			Immersion depth t [mm]	Rated motor values					Dimensions [mm]			Weight [kg]	Sonic pressure [dBA]	Pressure port series (DIN ISO 228)
Series	Frame size	Stages		Voltage Δ/Y U [V]	Motor index	Output P_N [kW]	Current Δ/Y I_N [A]	Speed n_N [min ⁻¹]	$\varnothing m$	k	l			
PRK	03	01	90	230/400	D	0,25	1,11/0,64	2701	122	99	204	4,0 – 4,4	45	G $\frac{3}{4}$
			120											
			150											
			180											
			210											
		02	240	230/400	E	0,37	1,72/1,00	2667	122	99	204	4,2 – 4,6	48	G $\frac{3}{4}$
			270											
			125											
			155											
			185											
		03	215	230/400	F	0,55	2,06/1,19	2836	122	99	204	4,4 – 4,8	52	G $\frac{3}{4}$
			245											
			275											
			305											
			160											
		04	190	230/400	G	0,75	2,56/1,48	2870	140	114	283	8,1 – 8,5	54	G $\frac{3}{4}$
			220											
			255											
			285											
			315											
05	345	230/400	H	1,1	4,07/2,35	2730	140	114	283	8,3 – 8,7	58	G $\frac{3}{4}$		
	375													
	230													
	260													
	290													
320														
350														
380														
410														

PRK – Immersion pumps, hydrostatic sealing

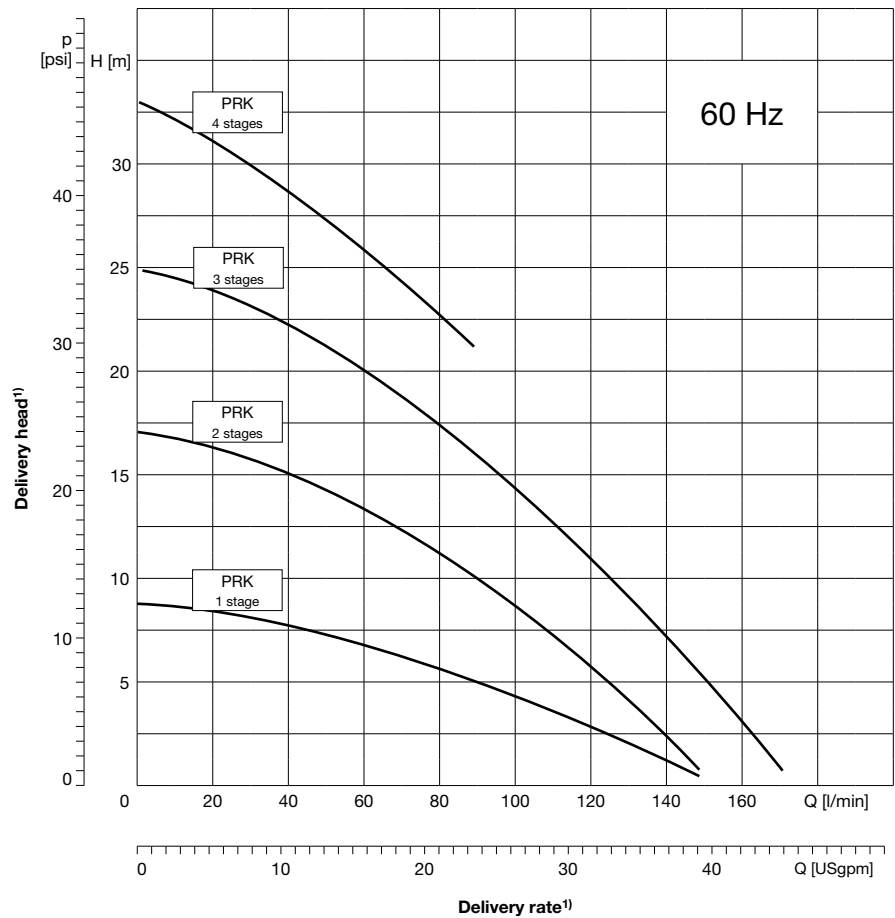
60 Hz, open impellers



PRK

Features

- Vertical multistage pump, hydrostatic sealing
- For delivery of slightly contaminated types of fluids
- Installation directly into the reservoir
- Pressure port is located above the reservoir plate and designed with internal thread G3/4
- Wide range of immersion depths 90-410 mm



Technical data

Delivery rate Q_{max}	170 l/min
Delivery head H_{max}	33 m
Immersion depth t_{max}	375 mm
Kinematic viscosity	max. 20 mm ² /s
Delivery temperature	+5 °C to +60 °C
Grain size	max. Ø3 mm
Contamination	max. 50 g/m ³
Direction of rotation	anti-clockwise (as viewed looking down on the motor's ventilation side)
Fluids delivered	Emulsions, cooling and cutting oils, cleaning liquids, water, mild acids

Mechanical design

Component	Material
Flange	POM
Base	PPS
Shaft	Stainless steel 1.4122
Impeller	POM
Diffuser	PP
Intermediate chamber	PPS
Bearings	Deep groove ball bearing with covering disk
Pumps bottom	PP
Elastomers	NBR

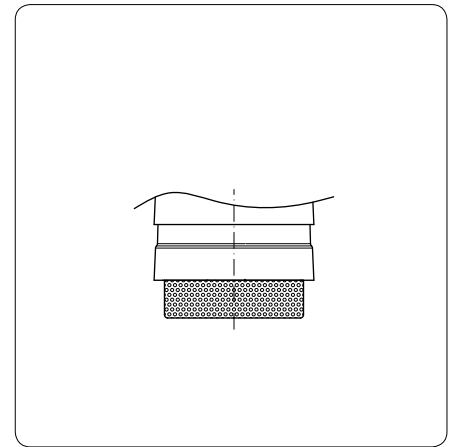
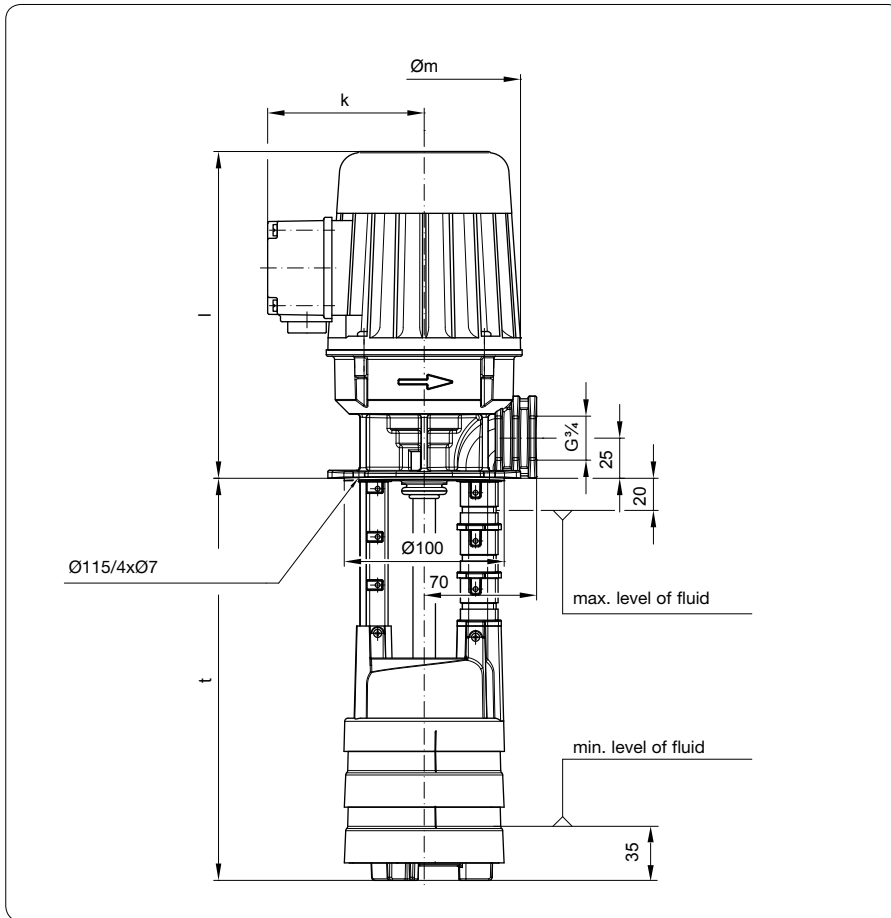
Variations

Component	Material
Intake strainer	Stainless steel 1.4301
Extension tube	PP

¹⁾ Data for viscosity of ~1 mm²/s at a density of ~1 kg/dm³. Minimum volumetric flow: 5 to 10 % of nominal delivery rate.

PRK – Immersion pumps, hydrostatic sealing

60 Hz, open impellers



PRK

Electrical data, dimensions and weights at 60 Hz

Type of pump			Immersion depth t [mm]	Rated motor values					Dimensions [mm]			Weight [kg]	Sonic pressure [dBA]	Pressure port series (DIN ISO 228)
Series	Frame size	Stages		Voltage Δ/Y U [V]	Motor index	Output P_N [kW]	Current Δ/Y I_N [A]	Speed n_N [min $^{-1}$]	$\varnothing m$	k	l			
PRK	03	01	90	265/460	E	0,42	1,72/1,00	3329	122	99	204	4,0 – 4,4	48	G $\frac{3}{4}$
			120											
			150											
			180											
			210											
			240											
		270												
		02	125	265/460	F	0,62	2,06/1,19	3446	122	99	204	4,2 – 4,6	52	G $\frac{3}{4}$
			155											
			185											
	215													
	03	245	265/460	G	0,86	2,56/1,48	3410	140	114	283	7,9 – 8,3	54	G $\frac{3}{4}$	
		275												
		305												
		160												
		190												
		220												
	04	250	265/460	H	1,26	4,07/2,35	3368	140	114	283	8,1 – 8,5	58	G $\frac{3}{4}$	
		280												
		310												
340														
195														
225														
255														
285														
315														
345														
375														

The contents of this publication are the copyright of the publisher and may not be reproduced (even extracts) unless our written permission is granted. Every care has been taken to ensure the accuracy of the information contained in this publication, but no liability can be accepted for any loss or damage whether direct, indirect or consequential, arising out of use of the information contained herein.

SKF Lubrication Systems Germany GmbH
Product department Spandau Pumpen

Motzener Strasse 35/37 · 12277 Berlin · Germany
PF 970444 · 12704 Berlin · Germany
Tel. +49 (0)30 72002-0 · Fax +49 (0)30 72002-261
SpandauPumpen@skf.com
www.spandaupumpen.com

This brochure was presented by: