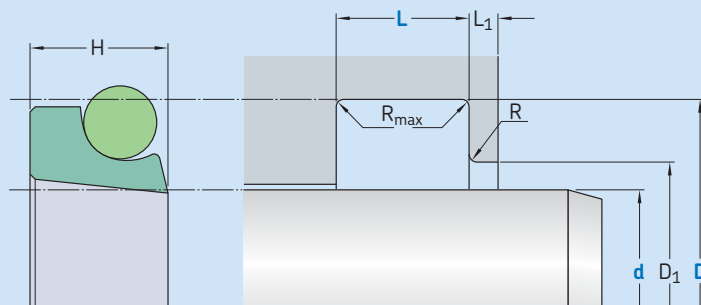


A25-F



Ordering dimensions in **blue**

Surface roughness	TPU		PTFE	
	R_{tmax}	R_a	R_{tmax}	R_a
	m		m	
Sliding surface	$\leq 2,5$	$0,05-0,3 \mu m$	≤ 2	$0,05-0,2 \mu m$
Bottom of groove	$\leq 6,3$	$\leq 1,6$	$\leq 6,3$	$\leq 1,6$
Groove face	≤ 15	≤ 3	≤ 15	≤ 3

Bearing area: 50–95% and a cutting depth of $0,5 R_z$ based on $C_{ref} = 0\%$

Standard dimensions		D	OD	L	R_{max}	D_1	H
d		H10		+ 0,2		H11	
f8	incl.						
mm							
5	11	$d + 4,8$	1,78	3,7	0,4	$d + 2,7$	3,6
11	63	$d + 6,8$	2,62	5,0	1,2	$d + 3,5$	4,8
63	400	$d + 8,8$	3,53	6,0	2,0	$d + 4,0$	5,8
400	600	$d + 12,2$	5,33	8,4	2,0	$d + 6,0$	8,1

Ordering example

Profile
d x D x L [mm]
Sealing material / Energizer

Wiper A25-F
70 x 78,8 x 6
SKF Ecoflon 3 / NBR70

Operating parameters

Material Glide ring	Energizer	Temperature		Speed ¹⁾
		from	to	max
		°C		m/s
■ X-ECOPUR		-30		
■ X-ECOPUR H	NBR70	-20	+100	5
■ X-ECOPUR S				
■ SKF Ecoflon 2	NBR70	-30		
■ SKF Ecoflon 3				
■ SKF Ecoflon 4	FPM75	-20	+200	10
■ SKF Ecowear 1000	NBR70	-30	+90	
	MVQ70	-55		

IMPORTANT NOTE: The stated operating conditions represent general indications. It is recommended not to use all maximum values simultaneously.

The pressure on the standard version is limited to 16 bar.

¹⁾ Surface speed limit values are valid only in the presence of a lubrication film.