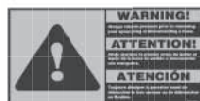
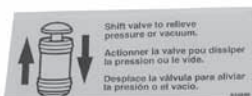
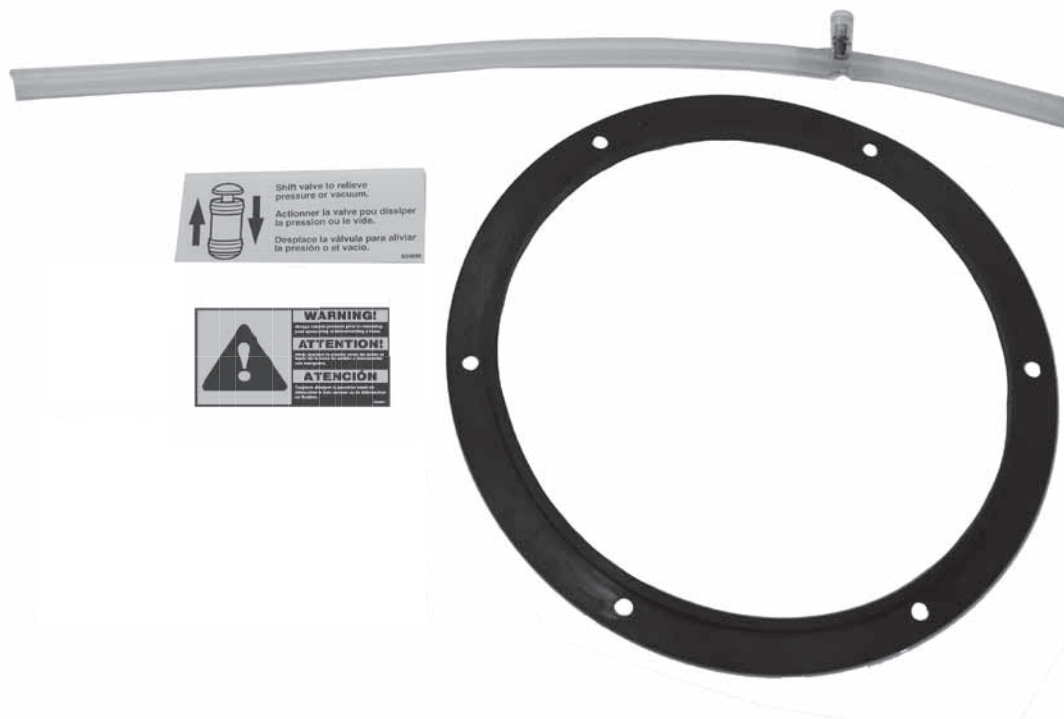


MV7201 Retrofit kit



Version	01
Date of issue	Mar 2012
Publication number	824908
Sectopn	MV104
Page	1

⚠ DANGER

Read manual prior to installation or use of this product. Keep manual nearby for future reference. Failure to follow instructions and safety precautions may result in death or serious injury.

Use of this installation guide

Overview

This installation guide details the procedure that must be followed while installing the wide profile gasket and tube with pressure relief valve kit.

All required parts, tools, and equipment needed to complete the installation of the wide profile gasket and tube with pressure relief valve kit are defined and listed within this installation guide.

General description and operation

The model MV7201 wide profile gasket and tube with pressure relief valve kit can be used to modify the Mityvac with a new style gasket and pressure relief valve.

Appropriate use

The wide profile gasket and tube with pressure relief valve kit is designed to improve pressure performance.

Prior to installation

Relieve all pressure from the reservoir prior to installation of this kit.

Safety

Read and carefully observe these installation instructions before installing the mechanical grease shut-off valve. The wide profile gasket and tube with pressure relief valve kit must be installed, maintained and repaired exclusively by persons familiar with the operating instructions.

Install the wide profile gasket and tube with pressure relief valve kit only after safety instructions and this installation guide have been read and are completely understood.

Adequate personal protection must be used to prevent splashing of material on the skin or in the eyes.

If any fluid appears to penetrate the skin, seek attention from a doctor immediately.

Do not treat injury as a simple cut. Tell attending doctor exactly what fluid was injected. Failure to comply may result in serious-injury to personal.

Any other use not in accordance with instructions will result in loss of claim for warranty or liability.

Do not misuse, over-pressurize, modify parts, use incompatible chemicals, fluids, or use worn and/or damaged parts.

Do not attempt to install this kit while the system is pressurized.

Always read and follow the fluid manufacturer's recommendations regarding fluid compatibility, and the use of protective clothing and equipment.

Failure to comply may result in personal injury and/or damage to equipment.

Explanation of signal words for safety



This is the safety alert symbol. It is used to alert you to potential physical injury hazards. Obey all safety messages that follow this symbol to avoid possible injury or death.



Indicates a hazardous situation which, if not avoided, will result in death or serious injury.



Indicates a hazardous situation which, if not avoided will result in death or serious injury.



Indicates a hazardous situation which, if not avoided, could result in minor or moderate injury.



Safety instruction signs indicate specific safety-related instructions or procedures.

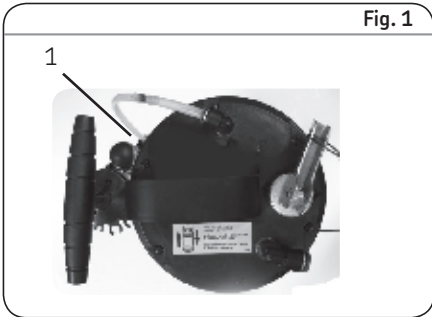
Disassembly

⚠ DANGER

Release pressure from the reservoir prior to removing the 12 in. (305 mm) tube.
Failure to comply may result in serious injury to personnel.

- 1 Release pressure from the Mityvac by shifting the pressure relief valve (1) located on top of the Mityvac. Refer to fig.1.

Fig. 1



- 2 Pull back on the blue sleeve (2) of the upper fitting (3).

Fig. 2



- 3 Pull the 12 in. (305 mm) tube (4) straight out from the fitting (3). Refer to fig. 2.
- 4 Pull back on the blue sleeve (5) of the lower fitting (6).
- 5 Remove the 12 in. (305 mm) tube (4) from the lower fitting (6).
- 6 Locate the six screw and nut assemblies (7) securing the cover (8).
- 7 Mark the nut (9) and screw (10) holding the tether (11) with a grease pencil. Refer to fig. 3

⚠ NOTICE

It is not necessary to remove the screws from the Mityvac to complete this procedure.

- 8 Using a phillips head screwdriver, loosen the screws (10), while holding the 5/16 inch (8 mm) nuts (9) with an open end wrench.

⚠ WARNING

Do not remove the cover from the reservoir before marking the location of the screw used to secure the tether extending from the drain plug. Tether must be secured in the same location during assembly. Failure to comply may result in personal injury.

- 9 Using a grease marking pencil, draw a line (12) on the reservoir (13) and a line on the cover (8), as shown in fig. 3.
- 10 Remove the nuts (9) from the screws (10).

- 11 Remove the cover (8) from the reservoir (13).
- 12 Remove and discard the square-profile gasket (14) from the bottom of the cover (8). Refer to fig. 4.

Fig. 3

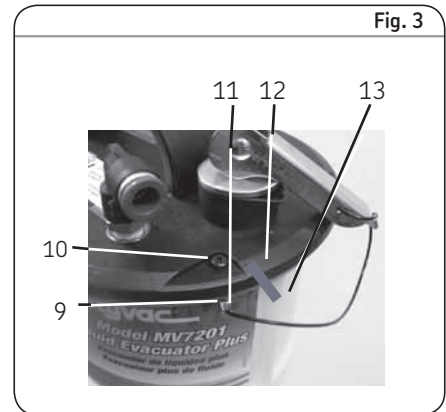
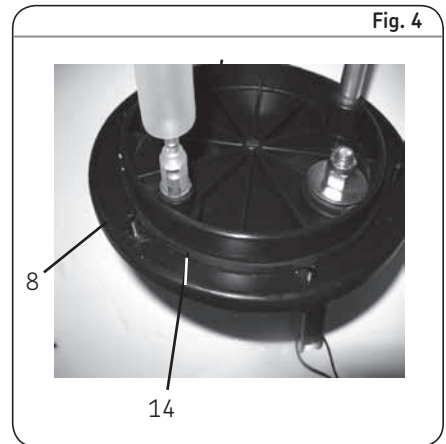
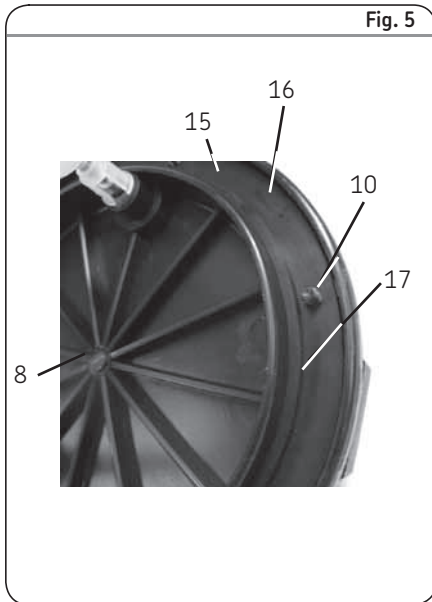


Fig. 4



Assembly

- 1 Clean all mating surfaces of the reservoir (13) and cover (8).



NOTICE

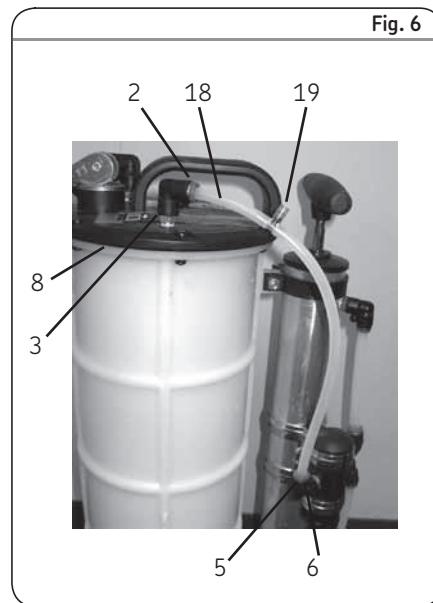
When installed correctly, raised edge of gasket should face center of cover.

- 2 While aligning the holes of the wide profile gasket (15) with the screws (10), place the wide profile gasket (15) inside the groove (16) of the cover (8), with the raised edge (17) toward the center of the cover (8). Refer to fig. 5.

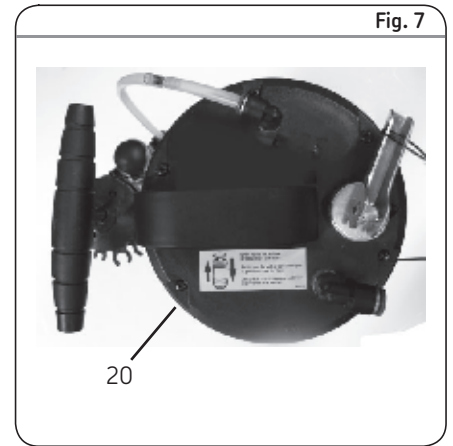
NOTICE

Do not overtighten screws. Failure to comply may result in damage to equipment.

- 3 Refer to fig. 3 and align the mark (11) on the cover (8) with the mark on the reservoir (13), as shown in fig. 3.
- 4 Place the tether (11) on the screw (10) that was marked during disassembly.
- 5 Thread the nut (9) onto the screw (10).
- 6 Tighten the screws (10) and nuts (9), using a screwdriver and open end wrench.
- 7 Pull back on the blue sleeve (2) of the upper fitting (3) and insert the new tube (18) into the upper fitting (3) with the pressure relief valve (19) near the cover (8). Refer to fig. 6.



- 8 Pull back on the blue sleeve (5) of the lower fitting (6) and insert the end of the tube (18) into the lower fitting (6). Refer to fig. 6.
- 9 Apply label 824896 (20) to top of the cover (8), as shown in fig. 7.
- 10 Apply label 824901 (21) to the side of reservoir (13), as shown in fig. 8.



Parts and tools

Parts list Kit 277875

Part name	Part number	Quantity	Description
Gasket	822820	1	Wide profile gasket
Pressure relief valve with tubing	822586	1	12 in. (305 mm) tubing with valve
Label	824896	1	Filter label
Label	824901	1	Warning label
Mityvac label	824905	1	Label, product

Tool list

Screwdriver
Open ended wrench $\frac{5}{16}$ in. (8 mm)

Lincoln industrial standard warranty

Standard limited warranty

Lincoln warrants the equipment manufactured and supplied by Lincoln to be free from defects in material and workmanship for a period of one (1) year following the date of purchase, excluding there from any special, extended, or limited warranty published by Lincoln. If equipment is determined to be defective during this warranty period, it will be repaired or replaced, within Lincoln's sole discretion, without charge.

This warranty is conditioned upon the determination of a Lincoln authorized representative that the equipment is defective. To obtain repair or replacement, you must ship the equipment, transportation charges prepaid, with proof of purchase to a Lincoln Authorized Warranty and Service Center within the warranty period.

This warranty is extended to the original retail purchaser only. This warranty does not apply to equipment damaged from accident, overload, abuse, misuse, negligence, faulty installation or abrasive or corrosive material, equipment that has been altered, or equipment repaired by anyone not authorized by Lincoln. This warranty applies only to equipment installed, operated and maintained in strict accordance with the written specifications and recommendations provided by Lincoln or its authorized field personnel.

This warranty is exclusive and is in lieu of any other warranties, express or implied, including, but not limited to, the warranty of merchantability or warranty of fitness for a particular purpose. Warranty on items sold by Lincoln, but not manufactured by Lincoln are subject to the warranty consideration, if any, of their manufacturer (such as hoses, hydraulic and electric motors, electrical controllers, etc.) Assistance in making such warranty claims can be offered as required.

In no event shall Lincoln be liable for incidental or consequential damages. Lincoln's liability for any claim for loss or damages arising out of the sale, resale or use of any Lincoln equipment shall in no event exceed the purchase price. Some jurisdictions do not allow the exclusion or limitation of incidental or consequential damages, therefore the above limitation or exclusion may not apply to you.

This warranty gives you specific legal rights. You may also have other rights that vary by jurisdiction.

Customers not located in the Western Hemisphere or East Asia: Please contact Lincoln GmbH and Co. Kg, Walldorf, Germany, for your warranty rights.

Special limited warranties

Special limited 2 year warranty sl-v series, single injectors-85772, 85782, and replacement injectors-85771, 85781

Lincoln warrants the SL-V Injector series to be free from defects in material and workmanship for two (2) years following the date of purchase. If an injector model (single or replacement) is determined to be defective by Lincoln, in its sole discretion, during this warranty period, it will be repaired or replaced, at Lincoln's discretion, without charge.

Special limited 5 year warranty series 20, 25, 40 bare pumps, pmv bare pumps, heavy duty and 94000 series bare reels

Lincoln warrants series 20, 25, 40 bare pumps, PMV bare pumps, heavy duty (82206), mini bench (81133, 81323), and all 94000 LFR series (single arm and dual arm) bare reels to be free from defects in material and workmanship for five (5) years following the date of purchase. If equipment is determined by Lincoln, in its sole discretion, to be defective during the first year of the warranty period, it will be repaired or replaced at Lincoln's discretion, without charge. In years two (2) and three (3), the warranty on this equipment is limited to repair with Lincoln paying parts and labor only. In years four (4) and five (5), the warranty on this equipment is limited to repair with Lincoln paying for parts only.

Special limited 5 year warranty-limited oil meters, limited fluid control valves, AOD (air-operated diaphragm pumps)

Lincoln warrants the 712 series control valves, 912 series lube meters, electronic lube meters (980, 981, 982 series), our universal inline digital meters (812/813 series), and our AOD pump offering to be free from defects in material and workmanship for five (5) years following the date of purchase. If either is determined to be defective by Lincoln, in its sole discretion, during the warranty period, they will be repaired or replaced, at Lincoln's discretion, without charge.

Special DEF (diesel exhaust fluid) limited warranty-

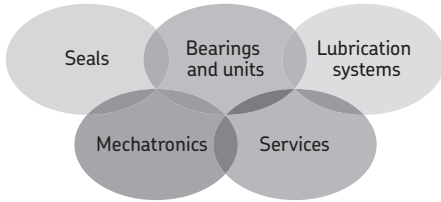
DEF products are warranted to be free from defects in material and workmanship for a period of one (1) year following the date of purchase. The following exceptions to the standard warranty period are in effect:

- **85700-30/85700-50 DEF hose reels (bare reel only),** 277251/277252 AC DEF pumps, and 277256 and 277257 DEF meters are warranted for two (2) years from date of purchase.
- **85623 DEF AOD (air operated diaphragm) pumps** are covered under the standard five (5) year AOD pump warranty.

If either is determined to be defective by Lincoln, in its sole discretion, during the warranty period, they will be repaired or replaced, at Lincoln's discretion, without charge.

Lincoln Industrial contact information

To find Lincoln Industrial's nearest service center call one of the following numbers, customer service 314-679-4200 you may also use our website lincolnindustrial.com



The Power of Knowledge Engineering

Drawing on five areas of competence and application-specific expertise amassed over more than 100 years, SKF brings innovative solutions to OEMs and production facilities in every major industry worldwide. These five competence areas include bearings and units, seals, lubrication systems, mechatronics (combining mechanics and electronics into intelligent systems), and a wide range of services, from 3-D computer modelling to advanced condition monitoring and reliability and asset management systems. A global presence provides SKF customers uniform quality standards and worldwide product availability.

© SKF is a registered trademark of the SKF Group.

© Lincoln is a registered trademark of Lincoln Industrial Corp.

© SKF Group 2012

The contents of this publication are the copyright of the publisher and may not be reproduced (even extracts) unless prior written permission is granted. Every care has been taken to ensure the accuracy of the information contained in this publication but no liability can be accepted for any loss or damage whether direct, indirect or consequential arising out of the use of the information contained herein.

SKF PUB LS/I2 12804 · March 2012 · Lincoln Form Number 824908

