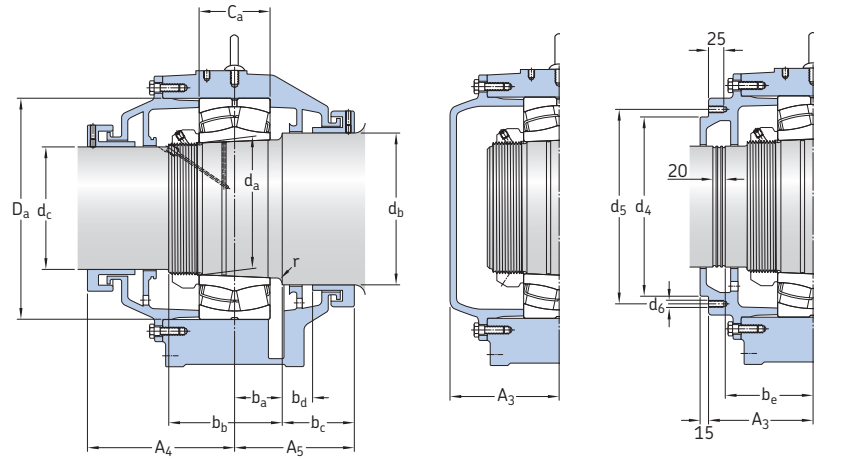


13.1 SBPN drying cylinder housings d_a 180 – 320 mm

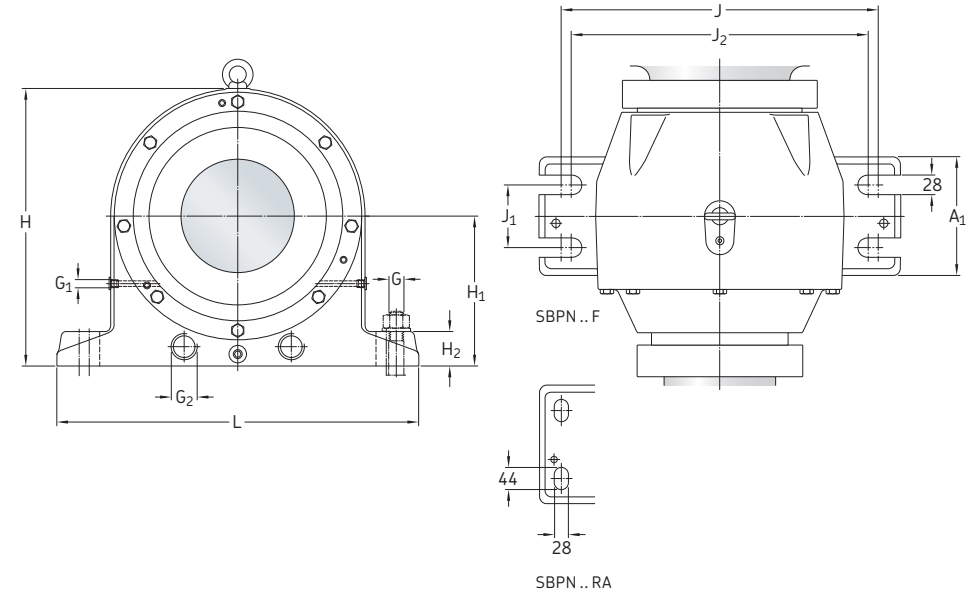


Housing for through shaft
(designation suffix B)

Housing for shaft end
(designation suffix A)

Housing for steam joint
connection
(designation suffix B42)

Shaft diameter d _a	Housing Designation	Appropriate parts Bearing ¹⁾	Lock nut ²⁾	Dimensions Housing												
				A ₁	A ₃	A ₄	A ₅	C _a	D _a	H	H ₁	H ₂	J	J ₁	J ₂	L
mm	–	–	–	mm												
180	SBPN 3136 F SBPN 3136 RA	23136 CCK/W33 C 3136 K	KMT 36	170	155	230	195	96	300	400	220	50	440	90	424	520
200	SBPN 3140 F SBPN 3140 RA	23140 CCK/W33 C 3140 K	KMT 40	200	165	240	200	112	340	440	240	55	485	115	469	570
220	SBPN 3144 F SBPN 3144 RA	23144 CCK/W33 C 3144 K	KMT 44	235	175	255	200	120	370	490	265	60	550	135	534	640
240	SBPN 3148 F SBPN 3148 RA	23148 CCK/W33 C 3148 K	KMT 48	250	190	265	215	128	400	535	285	65	580	150	564	680
260	SBPN 3152 F SBPN 3152 RA	23152 CCK/W33 C 3152 K	KMT 52	265	200	280	225	144	440	570	310	75	620	160	604	720
300	SBPN 3160 F SBPN 3160 RA	23160 CCK/W33 C 3160 K	KMT 60	300	215	290	235	160	500	630	335	85	720	180	704	820
320	SBPN 3164 F SBPN 3164 RA	23164 CCK/W33 C 3164 KM	KMT 64	320	225	300	255	176	540	680	360	85	760	200	744	880



Shaft diameter d _a	Dimensions Housing			Shaft						Dimensions Housing						Mass Housing A B		
	G	G ₁	G ₂	b _a	b _b	b _c min.	b _d	b _e	d _b	d _c	d _d	d ₄	d ₅	d ₆	r	–	kg	
mm	–	–	–	mm						–	mm						–	kg
180	M 24	G 1/2	G 1.1/4	65	150	130	55	128	200	160	M 180x3	225	250	M 12	5	118	115	
200	M 24	G 1/2	G 1.1/4	75	170	125	50	138	230	180	M 200x3	265	290	M 12	8	133	147	
220	M 24	G 1/2	G 1.1/4	75	190	125	50	148	250	200	Tr 220x4	305	330	M 12	8	189	205	
240	M 24	G 1/2	G 1.1/4	85	205	130	55	163	275	220	Tr 240x4	335	360	M 12	8	244	256	
260	M 24	G 1/2	G 1.1/2	95	225	130	55	173	300	240	Tr 260x4	355	380	M 12	8	259	273	
300	M 24	G 1/2	G 1.1/2	105	250	130	55	188	340	280	Tr 300x4	435	460	M 12	8	342	358	
320	M 24	G 1/2	G 1.1/2	115	270	140	65	198	360	300	Tr 320x5	455	480	M 12	8	445	465	

¹⁾ 231(00) – spherical roller bearing, C... – CARB toroidal roller bearing. Only typical bearings are listed. Other bearing variants can also fit the housing.

²⁾ As an alternative to KMT lock nuts, it is also possible to use KML or HM lock nuts with a locking device.