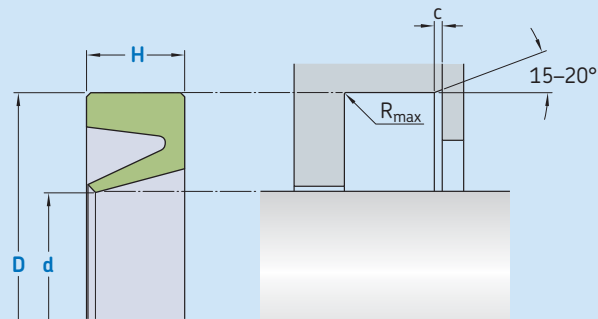


R08-A



Ordering dimensions in **blue**

Surface roughness	R_{tmax}	R_a
Sliding surface	$\leq 2,5 \mu\text{m}$	$0,1-0,5 \mu\text{m}$
Bottom of groove	$\leq 6,3 \mu\text{m}$	$\leq 1,6 \mu\text{m}$
Groove face	$\leq 15 \mu\text{m}$	$\leq 3 \mu\text{m}$

Hardness: Min 45 HRC (55 HRC recommended), hardened depth > 0,3 mm.
Bearing area: 50–95% and a cutting depth of 0,5 R_z based on $C_{ref} = 0\%$

Standard dimensions

NB	c	R_{max}
mm		
6,0	1	0,3
7,5	1,2	0,3
10,0	1,5	0,3
15,0	1,8	0,3
20,0	3	0,3
25,0	3,3	0,3

Because of the design diversity of this profile, it is not useful to classify it. The standard design considers no preload on the sealing lip.

Ordering example

Profile
d x D x H [mm]
Sealing material

Rotary seal R08-A
100 x 115 x 8
ECOPUR

Operating parameters

Material Seal	Temperature	
	from	to
–	°C	
■ ECOPUR	–30	
■ ECOPUR LD	–35	
■ G-ECOPUR	–30	+110
■ H-ECOPUR	–20	
■ S-ECOPUR		
■ T-ECOPUR	–50	
■ SKF Ecoflas	–10	+200
■ SKF Ecorubber-H	–25	+150
■ SKF Ecorubber-1	–30	+100
■ SKF Ecorubber-2	–20	+200
■ SKF Ecorubber-3	–50	+150
■ SKF Ecosil	–60	+200

IMPORTANT NOTE: Materials are depending on the application. Please contact SKF for more information.