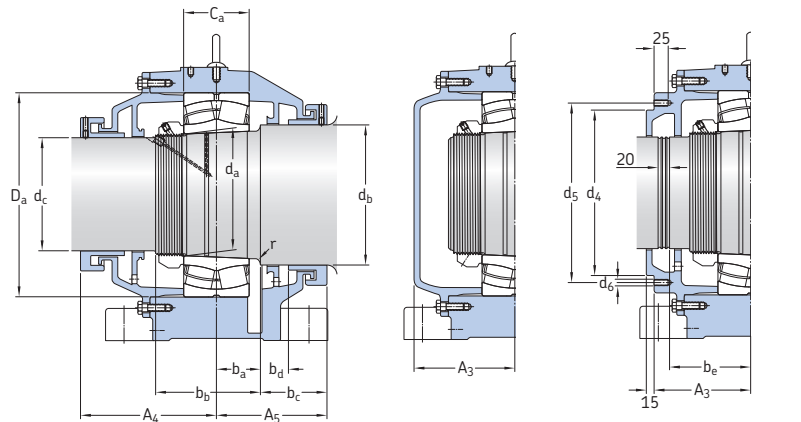


13.4 SBPN drying cylinder housings, with inch connection threads – short, wide base
 d 180 – 320 mm
 7.087 – 12.598 in.



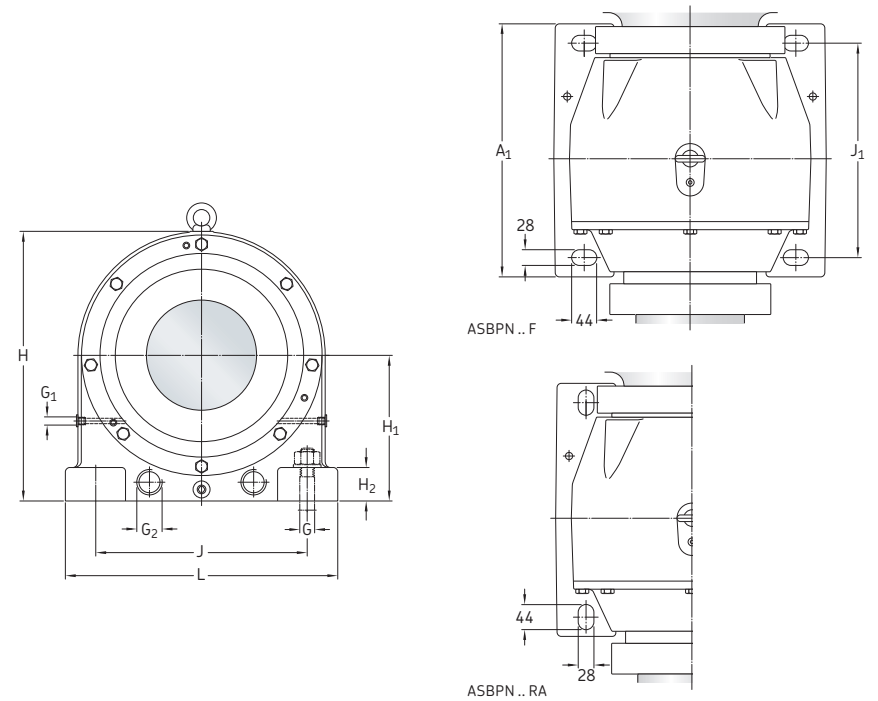
Housing for through shaft
(designation suffix B)

Housing for shaft end
(designation suffix A)

Housing for steam joint
connection
(designation suffix B42)

Shaft diameter d_a	Housing Designation	Appropriate parts			Dimensions												
		Bearing ¹⁾	Lock nut	Locking clip	Housing												
					A ₁	A ₃	A ₄	A ₅	C _a	D _a	H	H ₁	H ₂	J	J ₁	L	
mm/in.	–	–	–	–	mm												
180 7.087	ASBPN 3136 FN9 ASBPN 3136 RAN9	23136 CCK/W33 C 3136 K	N 036	W 036	350	155	230	195	96	300	400	220	50	320	280	400	
220 8.661	ASBPN 3144 FN9 ASBPN 3144 RAN9	23144 CCK/W33 C 3144 K	N 044	W 044	410	175	255	200	120	370	490	265	60	380	340	490	
260 10.236	ASBPN 3152 FN9 ASBPN 3152 RAN9	23152 CCK/W33 C 3152 K	N 052	PL 52	445	200	280	225	144	440	570	310	75	470	375	580	
300 11.811	ASBPN 3160 FN9 ASBPN 3160 RAN9	23160 CCK/W33 C 3160 K	N 060	PL 60	480	215	290	235	160	500	630	335	85	560	410	670	
320 12.598	ASBPN 3164 FN9 ASBPN 3164 RAN9	23164 CCK/W33 C 3164 KM	N 064	PL 64	500	225	300	255	176	540	680	360	85	580	430	710	

¹⁾ 231(00) – spherical roller bearing, C... – CARB toroidal roller bearing. Only typical bearings are listed. Other bearing variants can also fit the housing.



ASBPN..F

ASBPN..RA

Shaft diameter d_a	Dimensions Housing			Shaft										Mass Housing			
	G	G ₁	G ₂	b _a	b _b	b _{c min.}	b _d	b _e	d _b	d _c	d _d	Threads/inch	d ₄		d ₅	d ₆	r
mm/in.	–	–	–	mm										in.	–	mm	kg
180 7.087	1 UNC	NPTF 1/2	NPTF 1.1/4	65	150	130	55	128	200	160	7.063	8	225	250	M12	5	¹⁾
220 8.661	1 UNC	NPTF 1/2	NPTF 1.1/4	75	190	125	50	148	250	200	8.625	8	305	330	M12	8	203
260 10.236	1 UNC	NPTF 1/2	NPTF 1.1/2	95	225	130	55	173	300	240	10.189	6	355	380	M12	8	¹⁾
300 11.811	1 UNC	NPTF 1/2	NPTF 1.1/2	105	250	130	55	188	340	280	11.781	6	435	460	M12	8	¹⁾
320 12.598	1 UNC	NPTF 1/2	NPTF 1.1/2	115	270	140	65	198	360	300	12.559	6	455	480	M12	8	¹⁾

¹⁾ Contact SKF for missing values.