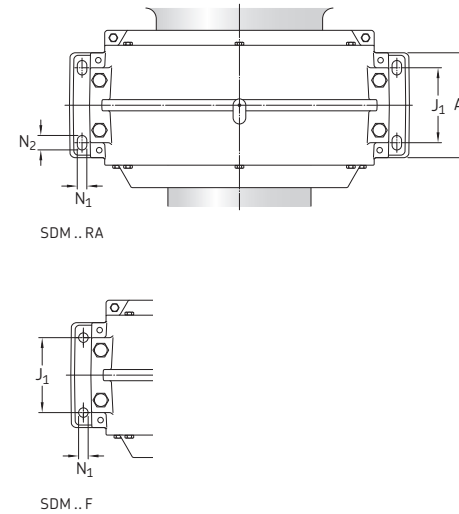
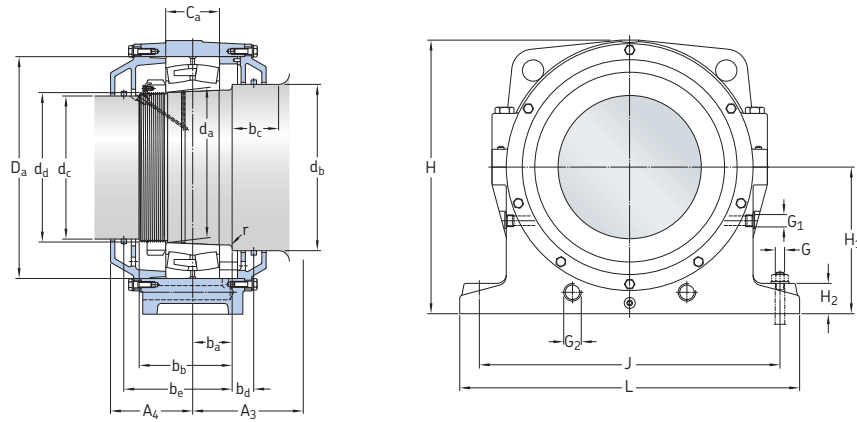


13.5 SDM Yankee cylinder housings d 340 – 600 mm

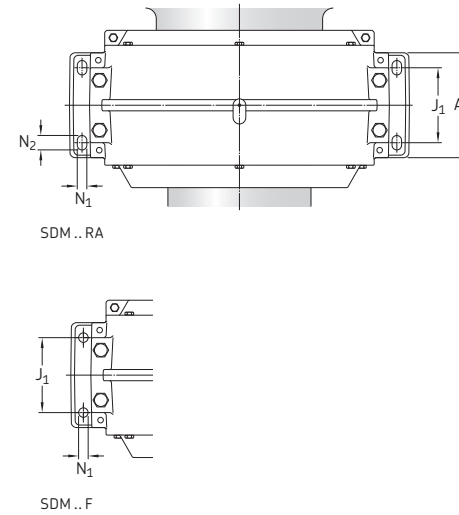
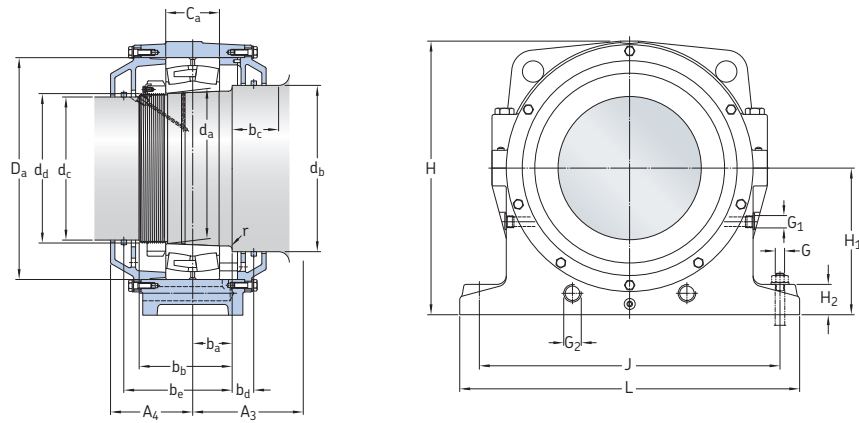


| Shaft diameter d_a | Housing Designation | Appropriate parts Bearing ¹⁾ | Lock nut | Locking clip | Dimensions Housing | | | | | | | | | | | | |
|-------------------------|-------------------------------|---|-----------|---------------|--------------------|-------|-------|-------|-------|-------|-------|-------|-------|-------|-------|--|--|
| | | | | | A_1 | A_3 | A_4 | C_a | D_a | H | H_1 | H_2 | J | J_1 | L | | |
| mm | - | - | | | mm | | | | | | | | | | | | |
| 340 | SDM 3068 F SDM 3068 RA | 23068 CCK/W33 C 3068 K | HM 3068 | MS 3068-64 | 260 | 195 | 210 | 133 | 520 | 650 | 345 | 75 | 760 | 170 | 860 | | |
| | SDM 3168 F SDM 3168 RA | 23168 CCK/W33 C 3168 KM | HM 3068 | MS 3068-64 | 320 | 210 | 255 | 190 | 580 | 740 | 400 | 80 | 800 | 180 | 900 | | |
| 380 | SDM 3076 F SDM 3076 RA | 23076 CCK/W33 C 3076 K | HM 3076 | MS 3080-76 | 260 | 200 | 220 | 135 | 560 | 710 | 380 | 80 | 790 | 170 | 890 | | |
| 420 | SDM 3084 F SDM 3084 RA | 23084 CAK/W33 C 3084 KM | HM 3084 | MS 3084 | 280 | 205 | 230 | 150 | 620 | 765 | 410 | 85 | 840 | 180 | 950 | | |
| | SDM 3184 F SDM 3184 RA | 23184 CKJ/W33 C 3184 KM | HM 3084 | MS 3084 | 400 | 290 | 310 | 224 | 700 | 910 | 480 | 85 | 1045 | 280 | 1165 | | |
| 460 | SDM 3092 F SDM 3092 RA | 23092 CAK/W33 C 3092 KM/C3 | HM 3092 | MS 3092-88 | 310 | 220 | 250 | 163 | 680 | 850 | 450 | 85 | 970 | 200 | 1090 | | |
| 530 | SDM 30/530 F SDM 30/530 RA | 230/530 CAK/W33 C 30/530 KM | HM 30/530 | MS 30/600-530 | 360 | 240 | 270 | 185 | 780 | 960 | 510 | 85 | 1090 | 240 | 1200 | | |
| | SDM 31/530 F SDM 31/530 RA | 231/530 CAK/W33 C 31/530 KM | HM 30/530 | MS 30/600-530 | 410 | 325 | 355 | 272 | 870 | 1 065 | 550 | 85 | 1 220 | 240 | 1 360 | | |
| 600 | SDM 30/600 F SDM 30/600 RA | 230/600 CAK/W33 C 30/600 KM/C3 | HM 30/600 | MS 30/600-530 | 410 | 325 | 355 | 200 | 870 | 1 065 | 550 | 85 | 1 220 | 240 | 1 360 | | |

| Shaft diameter d_a | Dimensions Housing | | | | | Shaft | | | | | | Mass Housing | | | |
|-------------------------|--------------------|-------|------|-------|-------------|-------|-------|---------------|-------|-------|-------|--------------|----------|----|-------|
| | N_1 | N_2 | G | G_1 | G_2 | b_a | b_b | b_c min. | b_d | b_e | d_b | d_c | d_d | r | kg |
| 340 | 30 | 50 | M 24 | G_1 | $G_{1.1/4}$ | 95 | 225 | 130 | 65 | 270 | 380 | 320 | Tr 340x5 | 10 | 386 |
| | 30 | 50 | M 24 | G_1 | G_2 | 130 | 295 | 110 | 48 | 353 | 390 | 320 | Tr 340x5 | 10 | 572 |
| 380 | 30 | 50 | M 24 | G_1 | $G_{1.1/4}$ | 95 | 230 | 135 | 70 | 280 | 420 | 360 | Tr 380x5 | 10 | 475 |
| 420 | 30 | 50 | M 24 | G_1 | $G_{1.1/2}$ | 110 | 260 | 130 | 60 | 305 | 465 | 400 | Tr 420x5 | 10 | 494 |
| | 30 | 50 | M 24 | G_1 | $G_{1.1/2}$ | 180 | 375 | 150 | 70 | 450 | 465 | 400 | Tr 420x5 | 10 | 882 |
| 460 | 30 | 50 | M 24 | G_1 | $G_{1.1/2}$ | 110 | 270 | 140 | 70 | 320 | 510 | 430 | Tr 460x5 | 10 | 750 |
| 530 | 38 | 58 | M 30 | G_1 | G_2 | 135 | 300 | 140 | 65 | 365 | 580 | 500 | Tr 530x6 | 10 | 914 |
| | 38 | 58 | M 30 | G_1 | G_2 | 195 | 425 | 160 | 85 | 505 | 590 | 500 | Tr 530x6 | 10 | 1 530 |
| 600 | 38 | 58 | M 30 | G_1 | G_2 | 160 | 345 | 195 | 120 | 470 | 660 | 560 | Tr 600x6 | 15 | 1 550 |

¹⁾ 23(000) and 23(0)/(000) – spherical roller bearing, C... – CARB toroidal roller bearing. Only typical bearings are listed. Other bearing variants can also fit the housing.

13.5 SDM Yankee cylinder housings d 630 – 670 mm



| Shaft diameter d_a | Housing Designation | Appropriate parts | | Dimensions | | | | | | | | | | | | | |
|-------------------------|-------------------------------|---|-----------|--------------|---------|---------------|---------------|-------|-------|---------------|-------|---------------|------|-------|------|--|--|
| | | Bearing ¹⁾ | Lock nut | Locking clip | Housing | | | | | | | | | | | | |
| mm | - | - | - | - | A_1 | A_3 | A_4 | C_a | D_a | H | H_1 | H_2 | J | J_1 | L | | |
| 630 | SDM 31/630 F SDM 31/630 RA | 231/630 CAK/C3W33 C 31/630 KMB/HA3C4 | HM 31/630 | MS 31/630 | 510 | ²⁾ | ²⁾ | 315 | 1 030 | ²⁾ | 700 | ²⁾ | 1330 | 350 | 1500 | | |
| 670 | SDM 30/670 F SDM 30/670 RA | 230/670 CAK/W33 C 30/670 KM/HA3C4 | HM 30/670 | MS 30/670 | 420 | 300 | 330 | 230 | 980 | 1180 | 620 | 85 | 1260 | 300 | 1380 | | |

| Shaft diameter d_a | Dimensions Housing | | Shaft | | | | | | Mass Housing | | | | | | |
|-------------------------|--------------------|-------|-------|-------|-------|---------------|---------------|---------------|---------------|---------------|-------|-------|----------|---------------|------|
| | N_1 | N_2 | G | G_1 | G_2 | b_a | b_b | b_c min. | b_d | b_e | d_b | d_c | d_d | r | mm |
| 630 | 38 | 58 | M 30 | G_1 | G_2 | ¹⁾ | ¹⁾ | ¹⁾ | ¹⁾ | ¹⁾ | 710 | 590 | Tr 630x6 | ¹⁾ | 2420 |
| 670 | 38 | 58 | M 30 | G_1 | G_2 | 190 | 395 | 150 | 65 | 475 | 750 | 630 | Tr 670x6 | 15 | 1420 |

¹⁾ 23(000) and 23(0)/(000) – spherical roller bearing, C... – CARB toroidal roller bearing. Only typical bearings are listed. Other bearing variants can also fit the housing.
²⁾ Contact SKF for missing values.

¹⁾ Contact SKF for missing values.