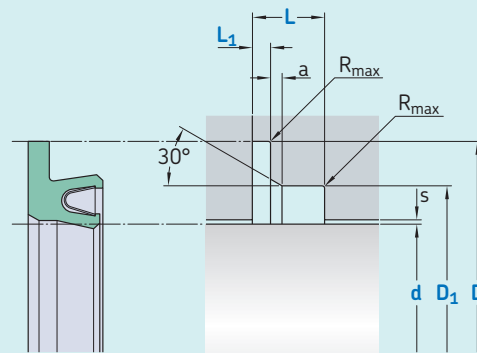


R19-F



Ordering dimensions in **blue**

Surface roughness	R_{tmax}	R_a
	μm	
Sliding surface	≤ 2	0,05–0,2
Bottom of groove	≤ 6,3	≤ 1,6
Groove face	≤ 15	≤ 3

Hardness: Min 45 HRC (55 HRC recommended), hardened depth > 0,3 mm.
 Bearing area: 50–95% and a cutting depth of 0,5 R_z based on $C_{ref} = 0\%$

Standard dimensions							Maximal radial extrusion gap				
d	D	D_1	a	L	L_1	R_{max}	s^*				
f8	H10	H9		+ 0,2			20 bar	100 bar	150 bar		
over	incl.						mm				
8	20	d + 9,0	d + 5,0	0,8	3,6	0,85 -0,10	0,4	0,25	0,15	0,10	
20	40	d + 12,5	d + 7,0	1,2	4,8	1,35 -0,10	0,4	0,35	0,20	0,15	
40	400	d + 17,5	d + 10,5	1,4	7,1	1,80 -0,15	0,4	0,50	0,25	0,20	
400	1 600	d + 22,0	d + 14,0	1,6	9,5	2,80 -0,20	0,4	0,60	0,30	0,25	





* Extrusion gap values shown above are valid for a temperature of 80 °C, higher temperatures require lower values.

Ordering example

Profile
 d x D/D₁ x L/L₁ [mm]
 Sealing material / Spring

Rotary seal R19-F
 100 x 117,5/110,5 x 7,1/1,8
 SKF Ecoflon 4 / 1.4310

Operating parameters

Material Seal	Spring	Temperature		Speed ¹⁾	Pressure ²⁾
		from	to	max	max
		°C		m/s	bar (MPa)
 SKF Ecoflon 1	1.4310	-200	+260	2	150 (15)
 SKF Ecoflon 2	1.4310	-200	+260	2	150 (15)
 SKF Ecoflon 3	1.4310	-200	+260	2	150 (15)
 SKF Ecoflon 4	1.4310	-200	+260	2	150 (15)

IMPORTANT NOTE: The stated operating conditions represent general indications. It is recommended not to use all maximum values simultaneously.

¹⁾ Surface speed limit values are valid only in the presence of a lubrication film.

²⁾ Pressure ratings depend on the size of the extrusion gap.

