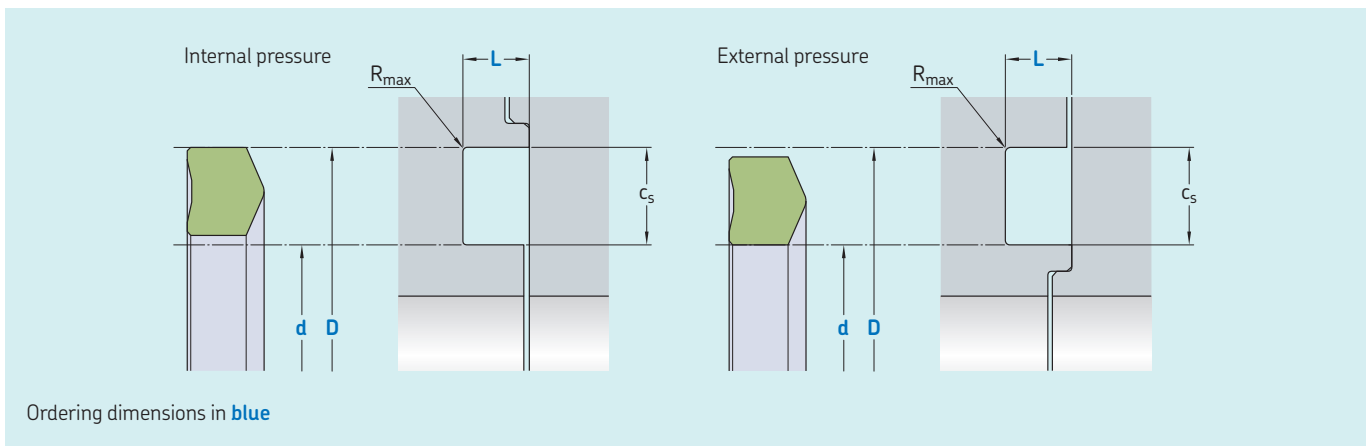


R35-A



Surface roughness	R_{tmax}	R_a
	μm	
Sliding surface	≤ 2,5	0,1–0,5
Bottom of groove	≤ 6,3	≤ 1,6
Groove face	≤ 15	≤ 3

Bearing area: 50–95% and a cutting depth of 0,5 R_z based on $C_{ref} = 0\%$

Standard dimensions		C_s	L	R
Corresponding O-ring cord diameter d_2				
AS 568A ¹⁾	ISO 3601 ²⁾			
mm				
1,78	1,8	2	1,40	0,4
2,62	2,65	3	2,25	0,4
3,53	3,55	4	3,10	0,4
5,33	5,3	6	4,75	0,4
6,99	7	8	6,20	0,4

¹⁾ American standard
²⁾ DIN 3771
 Minimum nominal inside diameter $d \geq 5$ mm.
 Standard definition for this profile is inside pressure.

Ordering example

Profile
 d x D x L [mm] / Pressure side
 Sealing material

Rotary seal R35-A
100 x 112 x 4,75 / Internal pressure
ECOPUR

Operating parameters

Material Seal	Temperature		Speed	Pressure
	from	to	max	max
	°C		m/s	bar (MPa)
■ ECOPUR	-30	+110		800 (80)
■ ECOPUR LD	-35	+110		800 (80)
■ G-ECOPUR	-30	+110		800 (80)
■ H-ECOPUR	-20	+110		800 (80)
■ S-ECOPUR	-20	+110		800 (80)
■ T-ECOPUR	-50	+110	only recommended for static application	800 (80)
■ SKF Ecorubber-1	-30	+100		250 (25)
■ SKF Ecorubber-H	-25	+150		250 (25)
■ SKF Ecorubber-2	-20	+200		250 (25)
■ SKF Ecorubber-3	-50	+150		250 (25)
■ SKF Ecoflas	-10	+200		250 (25)
■ SKF Ecosil	-60	+200		250 (25)

IMPORTANT NOTE: The stated operating conditions represent general indications. It is recommended not to use all maximum values simultaneously.