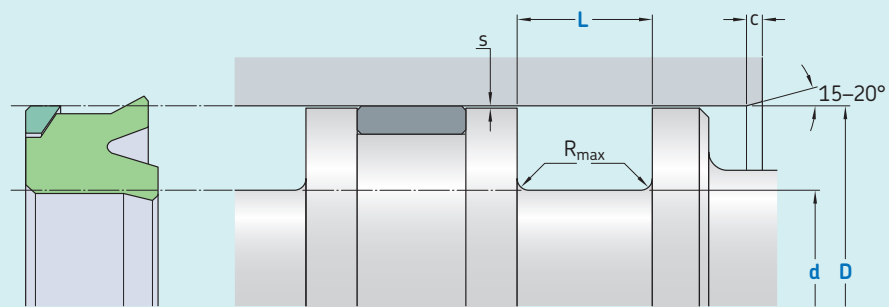


K02-RD



Ordering dimensions in **blue**

Surface roughness	R_{tmax}	R_a
	μm	
Sliding surface	≤ 2,5	0,05–0,2
Bottom of groove	≤ 6,3	≤ 1,6
Groove face	≤ 15	≤ 3

Bearing area: 50–95% and a cutting depth of 0,5 R_z based on $C_{ref} = 0\%$

Standard dimensions						Maximal radial extrusion gap		
D	d	L	R_{max}	c	s^*	20 bar	100 bar	250 bar
H9 over	incl. h10	+ 0,2						
mm						mm		
13	25	D – 8	6,0	0,4	3,5	0,80	0,80	0,52
25	50	D – 10	7,0	0,4	4,0	1,00	1,00	0,66
50	75	D – 12	8,0	0,4	4,5	1,25	1,20	0,72
75	150	D – 15	10,0	0,4	5,0	1,50	1,40	0,78
150	300	D – 20	12,0	0,4	6,0	2,00	1,66	0,88
300	500	D – 25	18,0	0,4	8,5	2,50	1,91	1,00
500	750	D – 30	20,0	0,4	10,0	3,00	2,18	1,13
750		D – 40	26,0	0,4	13,0	3,00	2,18	1,13

* Extrusion gap values shown above are valid for a temperature of 70 °C, higher temperatures require lower values.

Ordering example

Profile
 D x d x L [mm]
 Sealing material / Back-up ring

Piston seal K02-RD
100 x 85 x 10
 SKF Ecorubber-1 / SKF Ecotal

Operating parameters

Material Seal	Back-up ring ³⁾	Temperature		Speed ¹⁾	Pressure ²⁾
		from	to	max	max
		°C		m/s	bar (MPa)
■ SKF Ecorubber-1	■ SKF Ecotal	-30	+100	0,5	250 (25)
■ SKF Ecorubber-1	■ SKF Ecomid	-30	+100	0,5	250 (25)
■ SKF Ecorubber-H	■ SKF Ecoflon 2	-25	+150	0,5	250 (25)
■ SKF Ecorubber-H	■ SKF Ecotal	-25	+100	0,5	250 (25)
■ SKF Ecorubber-H	■ SKF Ecomid	-25	+110	0,5	250 (25)
■ SKF Ecorubber-2	■ SKF Ecoflon 2	-20	+200	0,5	250 (25)
■ SKF Ecorubber-3	■ SKF Ecoflon 2	-50	+150	0,5	250 (25)
■ SKF Ecorubber-3	■ SKF Ecotal	-50	+100	0,5	250 (25)
■ SKF Ecorubber-3	■ SKF Ecomid	-40	+110	0,5	250 (25)
■ SKF Ecoflas	■ SKF Ecopaek	-10	+200	0,5	250 (25)

IMPORTANT NOTE: The stated operating conditions represent general indications. It is recommended not to use all maximum values simultaneously.

¹⁾ Surface speed limit values are valid only in the presence of a lubrication film.

²⁾ Pressure ratings depend on the size of the extrusion gap.

³⁾ Size limitation D: Up to 260 mm SKF Ecotal, from 260 – 400 mm SKF Ecotal or SKF Ecomid and above 400 mm SKF Ecomid.

