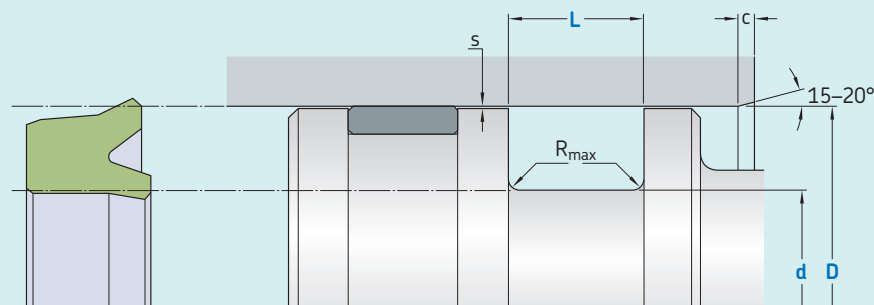


K01-PE



Ordering dimensions in **blue**

Surface roughness	R_{tmax}	R_a
	μm	

Sliding surface $\leq 2,5$ $0,05-0,2$

Bottom of groove $\leq 6,3$ $\leq 1,6$

Groove face ≤ 15 ≤ 3

Bearing area: 50-95% and a cutting depth of 0,5 R_z based on $C_{ref} = 0\%$

Standard dimensions						Maximal radial extrusion gap			
D	d	L	R_{max}	c	s^*	20 bar	100 bar	200 bar	400 bar
H9 over	incl.	+ 0,2							
mm						mm			
13	25	D - 8	6,0	0,4	3,5	0,33	0,18	0,11	0,05
25	50	D - 10	7,0	0,4	4,0	0,37	0,22	0,16	0,10
50	75	D - 12	8,0	0,4	4,5	0,42	0,27	0,20	0,14
75	150	D - 15	10,0	0,4	5,0	0,46	0,31	0,25	0,19
150	300	D - 20	12,0	0,4	6,0	0,54	0,39	0,32	0,26
300	500	D - 25	18,0	0,4	8,5	0,61	0,46	0,39	0,33
500	750	D - 30	20,0	0,4	10,0	0,67	0,52	0,45	0,39
750		D - 40	26,0	0,4	13,0	0,67	0,52	0,45	0,39

* Extrusion gap values shown above are valid for a temperature of 70 °C, higher temperatures require lower values.

Ordering example

Profile
D x d x L [mm]
Sealing material

Piston seal K01-PE
100 x 85 x 10
ECOPUR

Operating parameters

Material Seal	Temperature		Speed ¹⁾	Pressure ²⁾
	from	to	max	max
	°C		m/s	bar (MPa)
■ ECOPUR	-30	+110	0,5	400 (40)
■ ECOPUR LD	-35	+110	0,5	400 (40)
■ G-ECOPUR	-30	+110	0,5	400 (40)
■ H-ECOPUR	-20	+110	0,5	400 (40)
■ S-ECOPUR	-20	+110	0,5	400 (40)
■ T-ECOPUR	-50	+110	0,5	400 (40)

IMPORTANT NOTE: The stated operating conditions represent general indications. It is recommended not to use all maximum values simultaneously.

¹⁾ Surface speed limit values are valid only in the presence of a lubrication film.

²⁾ Pressure ratings depend on the size of the extrusion gap.