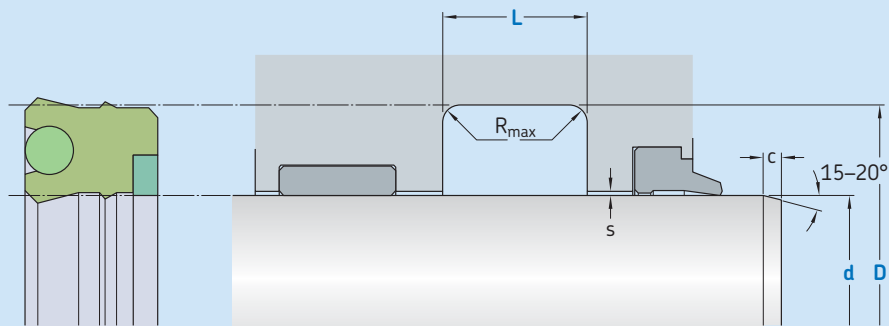


S24-P



Ordering dimensions in **blue**

Surface roughness	R_{tmax}	R_a
Sliding surface	$\leq 2,5 \mu m$	$0,05-0,3 \mu m$
Bottom of groove	$\leq 6,3 \mu m$	$\leq 1,6 \mu m$
Groove face	$\leq 15 \mu m$	$\leq 3 \mu m$

Bearing area: 50–95% and a cutting depth of $0,5 R_z$ based on $C_{ref} = 0\%$

Standard dimensions						Maximal radial extrusion gap			
d	f8	D	L	R_{max}	c	s^*			
over	incl.	H10	+ 0,2			20 bar	100 bar	400 bar	700 bar
mm						mm			
22	25	d + 8	6,3	0,4	3,5	0,80	0,80	0,30	0,04
25	50	d + 10	8,0	0,4	4,0	1,00	1,00	0,37	0,04
50	150	d + 15	10,0	0,4	5,0	1,50	1,47	0,46	0,05
150	300	d + 20	14,0	0,4	6,0	2,00	1,77	0,54	0,06
300	500	d + 25	17,0	0,4	8,5	2,50	2,06	0,62	0,06
500	600	d + 30	25,0	0,4	10,0	3,00	2,43	0,76	0,06

* Extrusion gap values shown above are valid for a temperature of 70 °C, higher temperatures require lower values.

Ordering example

Profile
d x D x L [mm]
Sealing material / Energizer / Backup ring

Rod Seal S24-P
100 x 115 x 10
H-ECOPUR / NBR70 / SKF Ecotal

Operating parameters

Material Seal	Energizer	Back-up ring	Temperature		Speed ¹⁾	Pressure ²⁾
			from	to	max	max
			°C		m/s	bar (MPa)
■ ECOPUR			-30		0,5	
■ H-ECOPUR	NBR70	■ SKF Ecotal ³⁾	-20	+100	0,7	700 (70)
■ S-ECOPUR		■ SKF Ecomid ³⁾				
■ T-ECOPUR	MVQ70		-40		0,5	

IMPORTANT NOTE: The stated operating conditions represent general indications. It is recommended not to use all maximum values simultaneously.

¹⁾ Surface speed limit values are valid only in the presence of a lubrication film.

²⁾ Pressure ratings depend on the size of the extrusion gap.

³⁾ D ≤ 260 mm → SKF Ecotal, D > 260 mm → SKF Ecomid.