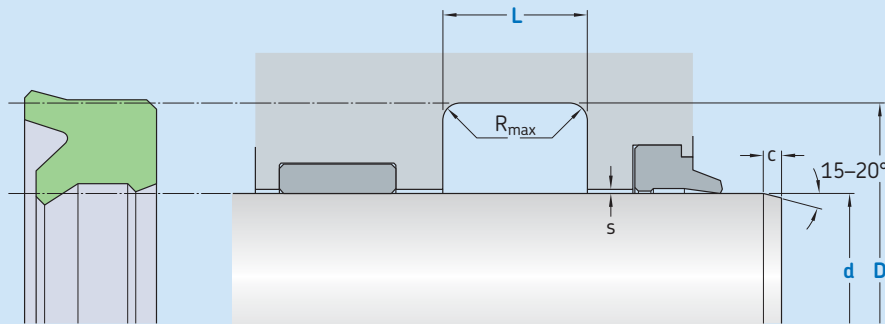


S17-R



Ordering dimensions in **blue**

Surface roughness	R_{tmax}	R_a
Sliding surface	$\leq 2,5 \mu m$	$0,05-0,3 \mu m$
Bottom of groove	$\leq 6,3 \mu m$	$\leq 1,6 \mu m$
Groove face	$\leq 15 \mu m$	$\leq 3 \mu m$

Bearing area: 50–95% and a cutting depth of 0,5 R_z , based on $C_{ref} = 0\%$

Standard dimensions						Maximal radial extrusion gap		
d	D	L	R_{max}	c		s^*		
f8	H10	+ 0,2				20 bar	100 bar	160 bar
over	incl.					mm		
mm						mm		
6	25	d + 8	6,3	0,4	3,5	0,23	0,16	0,14
25	50	d + 10	8,0	0,4	4,0	0,26	0,19	0,17
50	150	d + 15	10,0	0,4	5,0	0,31	0,24	0,22
150	300	d + 20	14,0	0,4	6,0	0,34	0,27	0,25
300	500	d + 25	17,0	0,4	8,5	0,37	0,30	0,29
500	600	d + 30	25,0	0,4	10,0	0,40	0,34	0,32

* Extrusion gap values shown above are valid for a temperature of 70 °C, higher temperatures require lower values.

Ordering example

Profile
d x D x L [mm]
Sealing material

Rod Seal S17-R
100 x 115 x 10
SKF Ecorubber-1

Operating parameters

Material Seal	Temperature		Speed ¹⁾	Pressure ²⁾
	from	to	max	max
–	°C		m/s	bar (MPa)
■ SKF Ecoflas	–10	+200	0,5	160 (16)
■ SKF Ecorubber-H	–25	+150		
■ SKF Ecorubber-1	–30	+100		
■ SKF Ecorubber-2	–20	+200		
■ SKF Ecorubber-3	–50	+150		

IMPORTANT NOTE: The stated operating conditions represent general indications. It is recommended not to use all maximum values simultaneously.

¹⁾ Surface speed limit values are valid only in the presence of a lubrication film.

²⁾ Pressure ratings depend on the size of the extrusion gap.