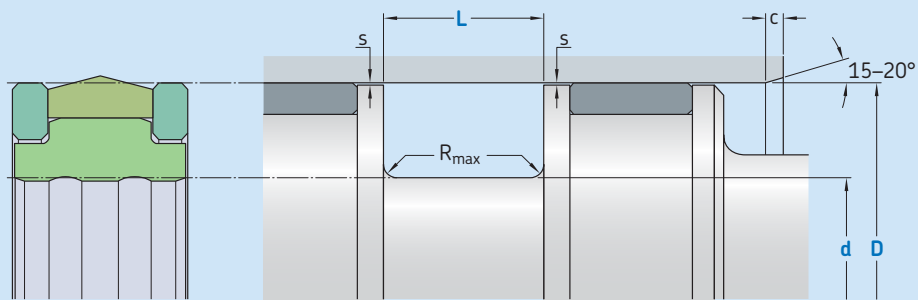


K23-N



Ordering dimensions in **blue**

Surface roughness	R_{tmax}	R_a
Sliding surface	$\leq 2,5 \mu m$	$0,05-0,2 \mu m$
Bottom of groove	$\leq 6,3 \mu m$	$\leq 1,6 \mu m$
Groove face	$\leq 15 \mu m$	$\leq 3 \mu m$

Bearing area: 50–95% and a cutting depth of $0,5 R_z$, based on $C_{ref} = 0\%$

Standard dimensions

D	H9	d	L	R_{max}	c	s^*
over	incl.	h9	+ 0,2			
mm						
20	50	D - 10	12,5	0,4	4	0,4
50	80	D - 15	20	0,4	5	0,4
80	150	D - 20	25	0,4	6	0,4
150	400	D - 25	32	0,4	8,5	0,4
400	600	D - 30	36	0,4	10	0,4

* Extrusion gap values shown above are valid for a temperature of 70 °C, higher temperatures require lower values.

Ordering example

Profile
D x d x L [mm]
Sealing material / Energizer / Backup ring

Piston seal K23-N
100 x 80 x 25
ECOPUR / SKF Ecorubber-1 / SKF Ecotal

Operating parameters

Material Seal	Energizer	Back-up ring	Temperature		Speed ¹⁾	Pressure ²⁾
			from	to	max	max
			°C		m/s	bar (MPa)
■ ECOPUR			-30		0,5	400 (40)
■ H-ECOPUR	■ SKF Ecorubber-1	■ SKF Ecotal ³⁾	-20	+100	0,7	
■ S-ECOPUR		■ SKF Ecomid ³⁾				
■ T-ECOPUR	■ SKF Ecosil		-40		0,5	

IMPORTANT NOTE: The stated operating conditions represent general indications. It is recommended not to use all maximum values simultaneously.

¹⁾ Surface speed limit values are valid only in the presence of a lubrication film.

²⁾ Pressure ratings depend on the size of the extrusion gap.

³⁾ D ≤ 260 mm → SKF Ecotal, D > 260 mm → SKF Ecomid.