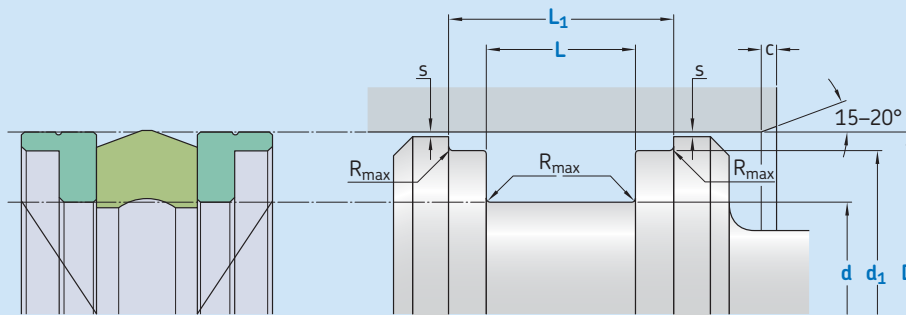


K17-P



Ordering dimensions in **blue**

Surface roughness	R_{tmax}	R_a
Sliding surface	$\leq 2,5 \mu m$	$0,05-0,2 \mu m$
Bottom of groove	$\leq 6,3 \mu m$	$\leq 1,6 \mu m$
Groove face	$\leq 15 \mu m$	$\leq 3 \mu m$

Bearing area: 50–95% and a cutting depth of $0,5 R_z$ based on $C_{ref} = 0\%$

Standard dimensions

D	H9	d	d_1	L	L_1	R_{max}	c	s^*
	over	incl.	h8	+ 0,2				
13	40	D-8	D-3	10	18	0,4	4	0,35
40	80	D-10	D-3	10	18	0,4	4	0,40
80	120	D-15	D-4	15	23	0,4	5	0,50
120	200	D-20	D-5	20	33	0,4	6	0,65
200	400	D-25	D-6	25	39	0,4	8,5	0,75
400	600	D-30	D-8	30	44	0,4	10	1,00

* Extrusion gap values shown above are valid for a temperature of 70 °C, higher temperatures require lower values.

Ordering example

Profile
D x d/ d_1 x L/ L_1 [mm]
Sealing material / Backup ring

Piston seal K17-P
100 x 85/96 x 15/23
ECOPUR / SKF Ecotal

Operating parameters

Material Seal	Back-up ring	Temperature		Speed ¹⁾	Pressure ²⁾
		from	to	max	max
		°C		m/s	bar (MPa)
■ ECOPUR		-30		0,5	250 (25)
■ H-ECOPUR	■ SKF Ecotal ³⁾	-20	+100		
■ S-ECOPUR	■ SKF Ecomid ³⁾			0,7	
■ T-ECOPUR		-40		0,5	

IMPORTANT NOTE: The stated operating conditions represent general indications. It is recommended not to use all maximum values simultaneously.

¹⁾ Surface speed limit values are valid only in the presence of a lubrication film.

²⁾ Pressure ratings depend on the size of the extrusion gap.

³⁾ D ≤ 260 mm → SKF Ecotal, D > 260 mm → SKF Ecomid.