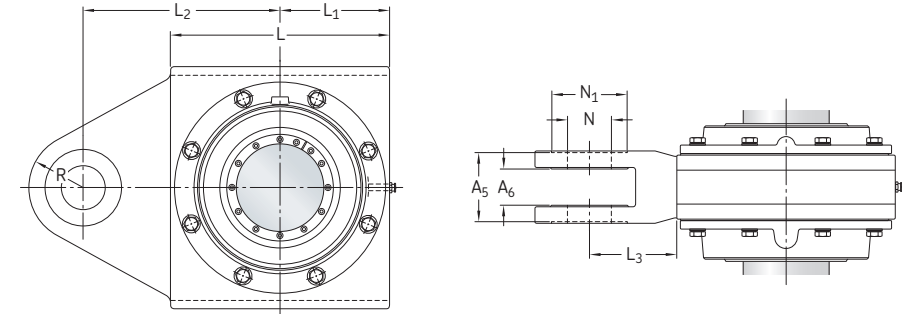
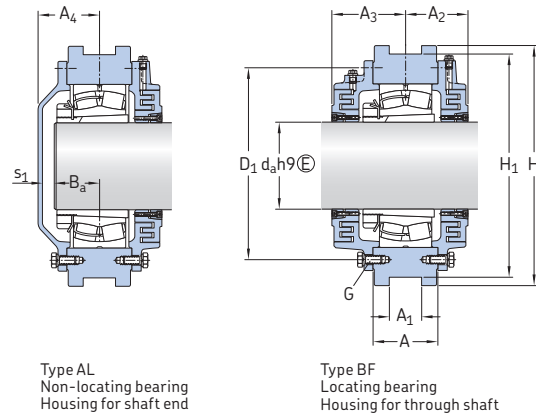


10.5 THD take-up housings for spherical roller bearings on an adapter sleeve and a plain shaft

d_a 50 – 170 mm



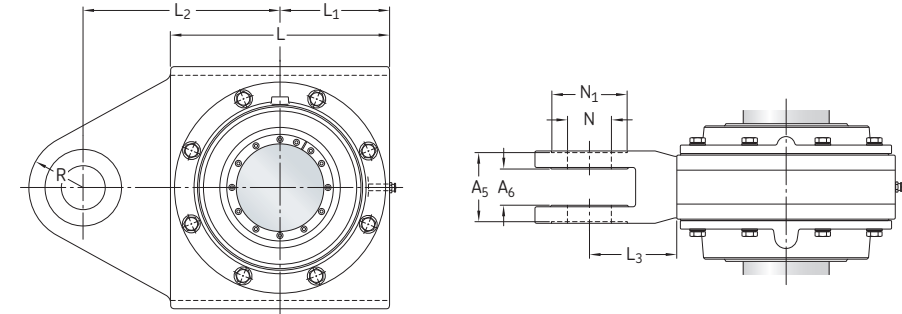
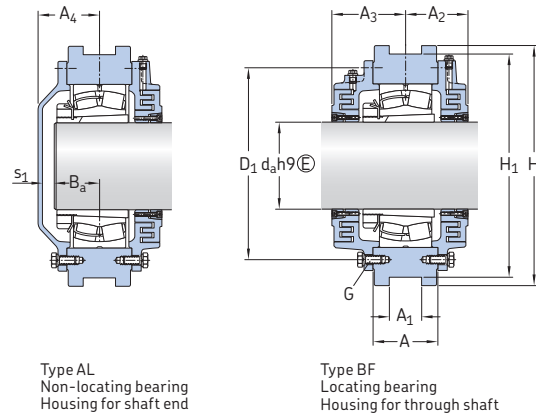
Shaft diam. d_a	Housing	Appropriate parts Bearing ¹⁾	Adapter sleeve ²⁾	Adapter ring (incl.) Designation	Dimensions Housing						
					A	A ₁	A ₂	A ₃	A ₄	A ₅	A ₆
mm	-	-	-	-	mm						
50	THDD 2211	22211 EK	H 311	PSBD 50	60	34	49	55	38	42	22
55	THDD 2212	22212 EK	H 312	PSBD 55	66	43	50	60	41	50	26
60	THDD 2213	22213 EK	H 313	PSBD 60	78	53	50	63	53	66	30
70	THDD 2216	22216 EK	H 316	PSBD 70	78	53	62	70	49	66	30
80	THDD 2218	22218 EK	H 318	PSBD 80	78	53	67	83	63	66	30
90	THDD 2220	22220 EK	H 320	PSBD 90	69	40	76	92	70	70	36
100	THDD 2222	22222 EK	H 322	PSBD 100	78	53	85	97	75	76	40
	THDD 3222	23222 CCK/W33	H 2322	PSBD 100	90	53	91	103	76	100	44
110	THDD 2224	22224 EK	H 3124	PSBD 110	78	53	84	99	72	76	40
	THDD 3224	23224 CCK/W33	H 2324	PSBD 110	95	53	93	108	78	100	44
115	THDD 3226	23226 CCK/W33	H 2326	PSBD 115	100	63	103	108	79	112	52
125	THDD 2228	22228 CCK/W33	H 3128	PSBD 125	83	53	80	102	90	74	40
	THDD 3228	23228 CCK/W33	H 2328	PSBD 125	110	63	108	118	88	112	52
135	THDD 3030	23030 CCK/W33	H 3030	PSBD 135	85	45	77,5	98,5	74,5	100	60
	THDD 3230	23232 CCK/W33	H 2330	PSBD 135	120	73	113	123	93	126	62
140	THDD 3132	23132 CCK/W33	H 3132	PSBD 140	116	74	101	126	101	132	62
	THDD 3232	23232 CCK/W33	H 2332	PSBD 140	130	83	118	133	98	126	62
150	THDD 3034	23034 CCK/W33	H 3034	PSBD 150	102	63	88	113	93	112	52
	THDD 3134	23134 CCK/W33	H 3134	PSBD 150	120	63	113	136	100	122	62
160	THDD 3136	23136 CCK/W33	H 3136	PSBD 160	120	60	115,5	135,5	113,5	130	64
	THDD 3236	23236 CCK/W33	H 2336	PSBD 160	140	93	133	148	108	140	72
170	THDD 3038	23038 CCK/W33	H 3038	PSBD 170	112	73	101	126	96	165	90
	THDD 3138	23138 CCK/W33	H 3138	PSBD 170	140	93	128	148	108	140	72

Shaft diam. d_a	Dimensions Housing													Shaft abutment		Mass Housing type	
	D ₁	H	H ₁	L	L ₁	L ₂	L ₃	N	N ₁	R	G	B _a	s ₁	A	B		
mm	mm													mm		kg	
50	115	150	135	150	75	105	30	20	40	30	M 8	27	5	10	10		
55	130	165	150	165	82,5	120	37,5	25	50	35	M 8	30	5	12	12		
60	140	180	155	160	80	145	65	30	60	40	M 8	35	11	16	16		
70	155	200	175	180	90	155	65	30	60	40	M 8	36	6	22	23		
80	180	230	200	210	105	170	65	30	60	40	M 8	40	16	29	30		
90	195	250	220	235	117,5	185	67,5	35	70	40	M 8	45	18	35	37		
	215	270	240	255	125	200	70	40	75	45	M 8	50	18	40	45		
100	230	300	270	270	135	195	60	50	95	60	M 12	60	9	70	74		
	230	290	260	275	135	210	70	40	75	45	M 8	55	10	45	48		
110	245	310	280	290	145	205	60	50	95	60	M 12	64	7	75	80		
	260	335	305	300	155	220	75	60	110	70	M 12	66	5	80	85		
125	275	330	300	315	155	230	70	40	70	45	M 12	62	20	56	61		
	290	360	330	330	170	235	75	60	90	70	M 16	72	8	95	101		
135	245	320	290	280	140	235	90	50	95	70	M 10	56	10	45	52		
	305	385	355	360	180	260	80	70	120	80	M 16	78	7	118	126		
140	310	370	340	370	185	350	160	61	110	90	M 12	75	18	136	146		
	330	400	370	380	190	270	80	70	120	80	M 16	84	6	140	150		
150	280	360	330	325	165	255	90	45	100	70	M 10	66	20	76	83		
	330	380	350	375	190	395	160	60	160	80	M 12	78	17	150	184		
160	350	440	410	400	200	360	85	80	140	100	M 16	82	23,5	160	172		
	360	450	410	420	210	300	90	80	140	90	M 16	90	10	165	178		
170	315	390	360	380	195	350	130	45	120	70	M 12	72	16	135	141		
	365	450	410	420	210	300	90	80	140	90	M 16	88	12	166	176		

¹⁾ Only typical bearings are listed. Other bearing variants can also fit the housing.
²⁾ Only typical adapter sleeves are listed. Other variants can also fit the housing.

10.5 THD take-up housings for spherical roller bearings on an adapter sleeve and a plain shaft

d_a 180 – 400 mm



Shaft diam. d_a	Housing	Appropriate parts Bearing ¹⁾	Adapter sleeve ²⁾	Adapter ring (incl.) Designation	Dimensions Housing						
					A	A ₁	A ₂	A ₃	A ₄	A ₅	A ₆
mm	-	-	-	-	mm						
180	THDD 3040 THDD 3140 THDD 3240	23040 CCK/W33 23140 CCK/W33 23240 CCK/W33	H 3040 H 3140 H 2340	PSBD 180 PSBD 180 PSBD 180	125 138 165	83 90 103	107 115 138	133 148,5 158	108 120 118	125 128 140	62 62 72
200	THDD 3044 THDD 3144 THDD 3244	23044 CCK/W33 23144 CCK/W33 23244 CCK/W33	OH 3044 H OH 3144 H OH 2344 H	PSBD 200 PSBD 200 PSBD 200	120 150 175	65 103 103	107 135 148	142 160 183	107 135 133	145 144 240	70 74 173
220	THDD 3148 THDD 3248	23148 CCK/W33 23248 CCK/W33	OH 3148 H OH 2348 H	PSBD 220 PSBD 220	152 190	65 103	148 148	178 188	138 148	215 240	123 173
240	THDD 3052 THDD 3152 THDD 3252	23052 CCK/W33 23152 CCK/W33 23252 CCK/W33	OH 3052 H OH 3152 H OH 2352 H	PSBD 240 PSBD 240 PSBD 240	135 175 205	65 80 103	110,5 152 167	150,5 187 208	120,5 152 158	215 225 240	123 135 173
260	THDD 3256	23256 CCK/W33	OH 2356 H	PSBD 260	210	123	178	218	163	240	173
280	THDD 3160 THDD 3260	23160 CCK/W33 23260 CCK/W33	OH 3160 H OH 3260 H	PSBD 280 PSBD 280	195 230	103 123	165 182	210 222	170 187	240 240	173 173
300	THDD 3164 THDD 3264	23164 CCK/W33 23264 CCK/W33	OH 3164 H OH 3264 H	PSBD 300 PSBD 300	210 250	123 123	177 192	212 237	187 187	240 300	170 213
320	THDD 3168 THDD 3268	23168 CCK/W33 23268 CAK/W33	OH 3168 H OH 3268 H	PSBD 320 PSBD 320	220 265	150 123	197 202	242 272	237 237	300 300	180 213
340	THDD 3272	23272 CAK/W33	OH 3272 H	PSBD 340	275	123	227	282	247	300	213
360	THDD 3176 THDD 3276	23176 CAK/W33 23276 CAK/W33	OH 3176 H OH 3276 H	PSBD 360 PSBD 360	230 295	120 123	202 232	257 297	254 257	300 300	200 213
380	THDD 3280	23280 CAK/W33	OH 3280 H	PSBD 380	300	123	242	307	257	300	213
400	THDD 3284	23284 CAK/W33	OH 3284 H	PSBD 400	315	123	252	317	267	300	213

Shaft diam. d_a	Dimensions Housing											Shaft abutment		Mass Housing type	
	D ₁	H	H ₁	L	L ₁	L ₂	L ₃	N	N ₁	R	G	B _a	s ₁	A	B
mm	mm											-	mm	kg	
180	340 380 405	430 440 500	400 420 460	390 440 470	220 300 235	275 300 325	85 80 90	70 80 80	120 110 140	80 80 90	M12 M16 M16	78 95 100	22 15 10	160 175 270	167 190 290
200	370 420 445	480 510 540	440 480 500	430 470 520	210 235 260	325 530 575	100 260 245	60 100 100	100 175 150	80 120 150	M16 M16 M20	80 100 112	17 25 11	200 240 380	220 255 400
220	455 490	540 580	500 540	520 560	260 280	515 600	250 250	100 100	250 175	150 150	M20 M20	106 122	22 16	310 460	360 485
240	435 490 540	540 570 610	500 540 570	500 550 590	245 275 305	515 565 615	260 270 220	100 100 100	250 250 200	150 150 150	M16 M20 M20	92 118 132	16,5 24 16	269 400 545	280 460 580
260	555	650	610	630	315	630	220	100	175	150	M24	135	16	590	630
280	550 600	650 670	610 630	625 670	312 335	630 650	250 220	100 100	240 175	150 150	M24 M24	125 142	35 33	540 678	580 730
300	590 640	670 710	630 670	665 710	340 355	650 725	230 275	100 110	175 185	150 200	M24 M24	135 152	40 21	650 800	690 860
320	630 680	740 750	700 700	740 750	370 375	720 750	310 285	120 110	240 185	200 200	M24 M24	155 175	70 47	760 920	880 1000
340	710	790	740	790	395	765	275	110	185	200	M24	180	51	1050	1120
360	680 745	790 820	740 780	750 810	375 420	750 780	320 310	110 110	230 230	200 200	M30 M30	165 186	73 55	890 1200	1000 1280
380	790	870	820	870	435	800	270	110	185	200	M30	196	45	1480	1580
400	835	925	860	925	463	825	262	110	185	200	M30	212	39	1880	1980

¹⁾ Only typical bearings are listed. Other bearing variants can also fit the housing.
²⁾ Only typical adapter sleeves are listed. Other variants can also fit the housing.