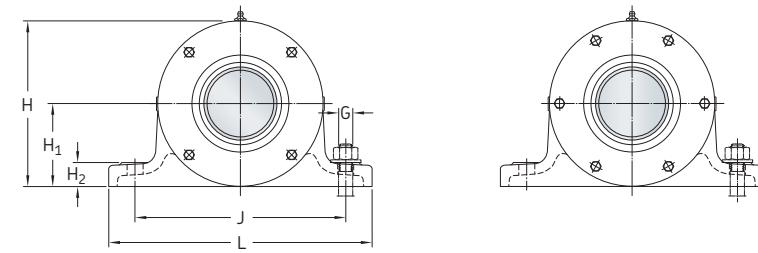
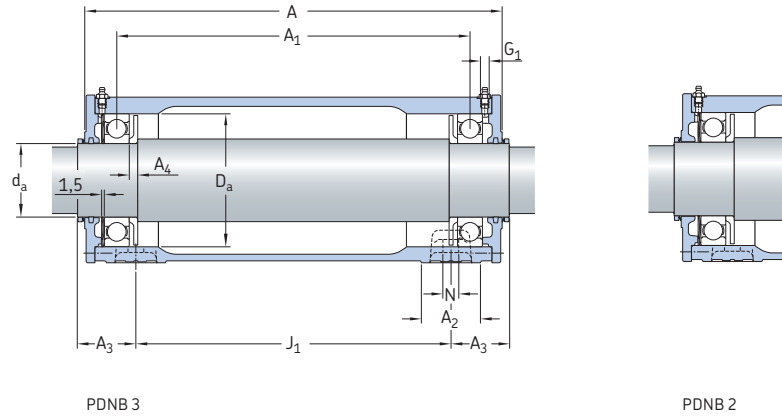


## 12.1 Two-bearing housings in the PDN series

$d_a$  25 – 80 mm



Sizes up to and including 211 and 309

Sizes from 212 and 310

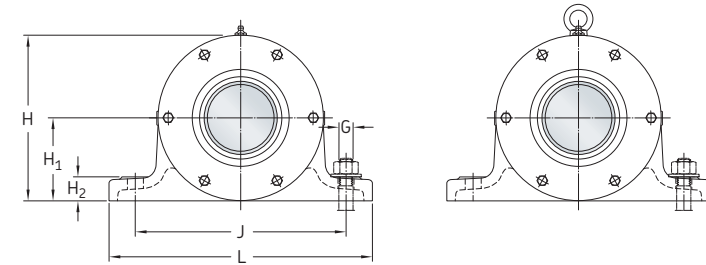
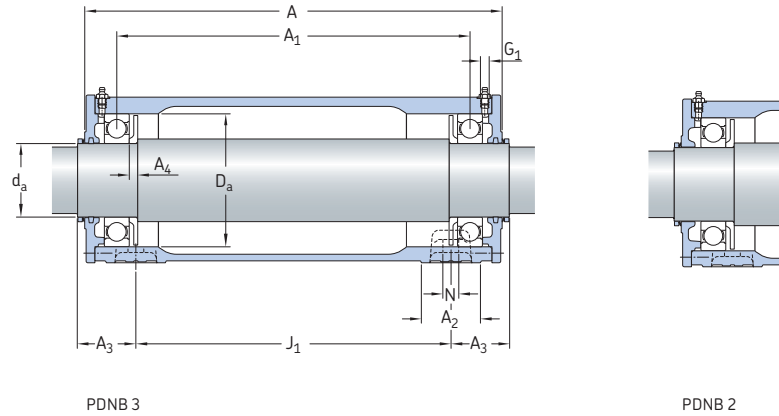
Shaft diameter $d_a$	Housing Designation <sup>1)</sup>	Appropriate parts		Wave spring washer	Spare parts		Unit Designation <sup>1)</sup>
		Bearings	Shaft		V-ring	Felt strip	
mm	-	-	-	-	-	-	-
25	<b>PDN 305</b>	2 x 6305	VJ-PDNB 305	WF-62	25 VAR	FS 190	<b>PDNB 305</b>
30	<b>PDN 206</b>	2 x 6206	VJ-PDNB 206	WF-62	30 VAR	-	<b>PDNB 206</b>
	<b>PDN 306</b>	2 x 6306	VJ-PDNB 306	WF-72	30 VAR	FS 190	<b>PDNB 306</b>
35	<b>PDN 207</b>	2 x 6207	VJ-PDNB 207	WF-72	35 VAR	-	<b>PDNB 207</b>
	<b>PDN 307</b>	2 x 6307	VJ-PDNB 307	WF-80	35 VAR	FS 190	<b>PDNB 307</b>
40	<b>PDN 208</b>	2 x 6208	VJ-PDNB 208	WF-80	40 VAR	-	<b>PDNB 208</b>
	<b>PDN 308</b>	2 x 6308	VJ-PDNB 308	WF-90	40 VAR	FS 190	<b>PDNB 308</b>
45	<b>PDN 309</b>	2 x 6309	VJ-PDNB 309	WF-100	45 VAR	FS 190	<b>PDNB 309</b>
50	<b>PDN 210</b>	2 x 6210	VJ-PDNB 210	WF-90	50 VAR	-	<b>PDNB 210</b>
	<b>PDN 310</b>	2 x 6310	VJ-PDNB 310	WF-110	50 VAR	FS 260	<b>PDNB 310</b>
55	<b>PDN 211</b>	2 x 6211	VJ-PDNB 211	WF-100	55 VAR	-	<b>PDNB 211</b>
	<b>PDN 311</b>	2 x 6311	VJ-PDNB 311	WF-120	55 VAR	FS 260	<b>PDNB 311</b>
60	<b>PDN 212</b>	2 x 6212	VJ-PDNB 212	WF-110	60 VAR	-	<b>PDNB 212</b>
	<b>PDN 312</b>	2 x 6312	VJ-PDNB 312	WF-130	60 VAR	FS 260	<b>PDNB 312</b>
65	<b>PDN 313</b>	2 x 6313	VJ-PDNB 313	WF-140	65 VAR	FS 260	<b>PDNB 313</b>
70	<b>PDN 214</b>	2 x 6214	VJ-PDNB 214	WF-125	70 VAR	-	<b>PDNB 214</b>
	<b>PDN 314</b>	2 x 6314	VJ-PDNB 314	WF-150	70 VAR	FS 330	<b>PDNB 314</b>
75	<b>PDN 215</b>	2 x 6215	VJ-PDNB 215	WF-130	75 VAR	-	<b>PDNB 215</b>
	<b>PDN 315</b>	2 x 6315	VJ-PDNB 315	WF-160	75 VAR	FS 330	<b>PDNB 315</b>
80	<b>PDN 216</b>	2 x 6216	VJ-PDNB 216	WF-140	80 VAR	-	<b>PDNB 216</b>
	<b>PDN 316</b>	2 x 6316	VJ-PDNB 316	WF-170	80 VAR	FS 330	<b>PDNB 316</b>

Shaft diameter $d_a$	Dimensions Housing															Mass Housing	Unit	
	A	A <sub>1</sub>	A <sub>2</sub>	A <sub>3</sub>	A <sub>4</sub>	D <sub>a</sub>	H	H <sub>1</sub>	H <sub>2</sub>	J	J <sub>1</sub>	L	N	G	G			G <sub>1</sub>
mm	mm															in.	-	kg
25	202	146,5	35	40,5	7	62	95	50	16	120	135	155	12	10	3/8	G <sup>1</sup> / <sub>8</sub>	5,1	7
30	197	147,5	35	37,5	7	62	95	50	16	120	135	155	12	10	3/8	G <sup>1</sup> / <sub>8</sub>	5,1	7,4
	226	171,5	40	45	7	72	100	50	18	130	150	160	15	12	1/2	G <sup>1</sup> / <sub>8</sub>	6,5	9,6
35	227	173,5	40	45	7	72	100	50	18	130	150	160	15	12	1/2	G <sup>1</sup> / <sub>8</sub>	6,5	10
	260	195,5	45	49,5	8	80	116	60	18	150	175	190	15	12	1/2	G <sup>1</sup> / <sub>8</sub>	9,1	13,5
40	259	198,5	45	49,5	8	80	116	60	18	150	175	190	15	12	1/2	G <sup>1</sup> / <sub>8</sub>	9,3	14,5
	315	255,5	52	53	10	90	121	60	20	150	225	190	15	12	1/2	G <sup>1</sup> / <sub>8</sub>	12,5	19,5
45	360	279,5	52	63	10	100	137	70	22	170	250	210	15	12	1/2	G <sup>1</sup> / <sub>8</sub>	15	24,5
50	314	258,5	52	52	10	90	121	60	20	150	225	190	15	12	1/2	G <sup>1</sup> / <sub>8</sub>	12,5	22,5
	377	311,5	60	59	10	110	142	70	25	170	275	210	15	12	1/2	G <sup>1</sup> / <sub>8</sub>	18	29,5
55	356	283,5	52	60,5	10	100	137	70	22	170	250	210	15	12	1/2	G <sup>1</sup> / <sub>8</sub>	15	27,5
	422	335,5	60	69	10	120	158	80	25	210	300	260	19	16	5/8	G <sup>1</sup> / <sub>8</sub>	23	39,5
60	376	316,5	60	58	10	110	142	70	25	170	275	210	15	12	1/2	G <sup>1</sup> / <sub>8</sub>	18	33
	460	383,5	70	68	10	130	165	80	25	210	340	260	19	16	5/8	G <sup>1</sup> / <sub>8</sub>	32,5	52,5
65	492	402,5	70	74	11	140	185	95	25	230	360	280	19	16	5/8	G <sup>1</sup> / <sub>4</sub>	32	57
70	459	390,5	70	69	10	125	165	80	25	210	340	260	19	16	5/8	G <sup>1</sup> / <sub>8</sub>	34,5	60,5
	512	420,5	70	76	11	150	190	95	25	230	380	290	19	16	5/8	G <sup>1</sup> / <sub>4</sub>	38	68,5
75	459	389,5	70	69	10	130	165	80	25	210	340	260	19	16	5/8	G <sup>1</sup> / <sub>8</sub>	32	62
	547	448,5	80	83,5	12	160	200	100	30	260	400	320	19	16	5/8	G <sup>1</sup> / <sub>4</sub>	43,5	80,5
80	493	409,5	70	76	11	140	185	95	25	230	360	280	19	16	5/8	G <sup>1</sup> / <sub>4</sub>	31	67
	556	466,5	80	78	12	170	220	112	30	260	420	320	19	16	5/8	G <sup>1</sup> / <sub>4</sub>	49,5	92

<sup>1)</sup> For details about the components supplied, refer to the section *Ordering information* on page 570.

## 12.1 Two-bearing housings in the PDN series

$d_a$  85 – 120 mm



Sizes 224, and 320 and above (with M10 eye bolt)

Shaft diameter $d_a$	Housing Designation <sup>1)</sup>	Appropriate parts		Wave spring washer	Spare parts		Unit Designation <sup>1)</sup>
		Bearings	Shaft		V-ring	Felt strip	
mm	-	-	-	-	-	-	-
85	<b>PDN 317</b>	2 x 6317	VJ-PDNB 317	-	85 VAR	FS 330	<b>PDNB 317</b>
90	<b>PDN 218</b>	2 x 6218	VJ-PDNB 218	WF-160	90 VAR	-	<b>PDNB 218</b>
	<b>PDN 318</b>	2 x 6318	VJ-PDNB 318	-	90 VAR	FS 370	<b>PDNB 318</b>
95	<b>PDN 319</b>	2 x 6319	VJ-PDNB 319	-	95 VAR	FS 370	<b>PDNB 319</b>
100	<b>PDN 220</b>	2 x 6220	VJ-PDNB 220	-	100 VAR	-	<b>PDNB 220</b>
	<b>PDN 320</b>	2 x 6320	VJ-PDNB 320	-	100 VAR	FS 460	<b>PDNB 320</b>
110	<b>PDN 222</b>	2 x 6222	VJ-PDNB 222	-	110 VAR	-	<b>PDNB 222</b>
	<b>PDN 322</b>	2 x 6322	VJ-PDNB 322	-	110 VAR	FS 460	<b>PDNB 322</b>
120	<b>PDN 224</b>	2 x 6224	VJ-PDNB 224	-	120 VAR	-	<b>PDNB 224</b>
	<b>PDN 324</b>	2 x 6324	VJ-PDNB 324	-	120 VAR	FS 460	<b>PDNB 324</b>

Shaft diameter $d_a$	Dimensions Housing																Mass	
	A	A <sub>1</sub>	A <sub>2</sub>	A <sub>3</sub>	A <sub>4</sub>	D <sub>a</sub>	H	H <sub>1</sub>	H <sub>2</sub>	J	J <sub>1</sub>	L	N	G	G <sub>1</sub>	Housing	Unit	
mm	mm														in.	-	kg	
85	590	486	80	85	12	180	225	112	30	290	440	350	19	16	5/8	G <sup>1</sup> / <sub>4</sub>	61	114
90	543	455,5	80	81	12	160	200	100	30	260	400	320	19	16	5/8	G <sup>1</sup> / <sub>4</sub>	42,5	96,5
	605	510	85	82,5	11	190	230	112	30	290	460	350	19	16	5/8	G <sup>1</sup> / <sub>4</sub>	71	134
95	648	540	90	94	13	200	253	125	36	320	480	400	24	20	3/4	G <sup>1</sup> / <sub>4</sub>	82,5	156
100	588	493	80	83,5	12	180	225	112	30	290	440	350	19	16	5/8	G <sup>1</sup> / <sub>4</sub>	60	130
	673	570	95	96,5	11,5	215	264	130	40	320	500	400	24	20	3/4	G <sup>1</sup> / <sub>4</sub>	92,5	177
110	634	547	90	88	13	200	253	125	36	320	480	400	24	20	3/4	G <sup>1</sup> / <sub>4</sub>	81	176
	686	580	95	94,5	10	240	296	150	40	380	520	450	28	24	1	G <sup>1</sup> / <sub>4</sub>	115	226
120	672	577	95	97	11,5	215	264	130	40	320	500	400	24	20	3/4	G <sup>1</sup> / <sub>4</sub>	90	207
	707	600	100	96	11,5	260	322	160	40	410	538	500	35	30	1 1/4	G <sup>1</sup> / <sub>4</sub>	135	276

<sup>1)</sup> For details about the components supplied, refer to the section *Ordering information* on page 570.