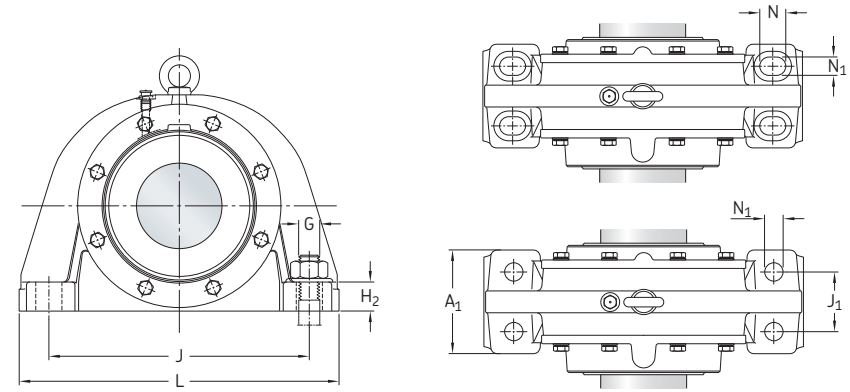
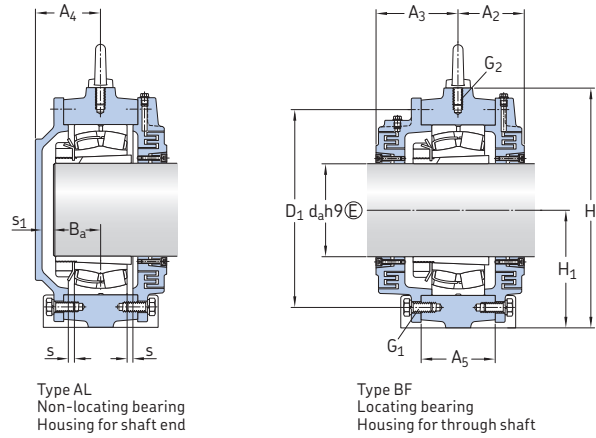


## 10.1 SBD plummer block housings for bearings on an adapter sleeve and a plain shaft d<sub>a</sub> 60 – 140 mm



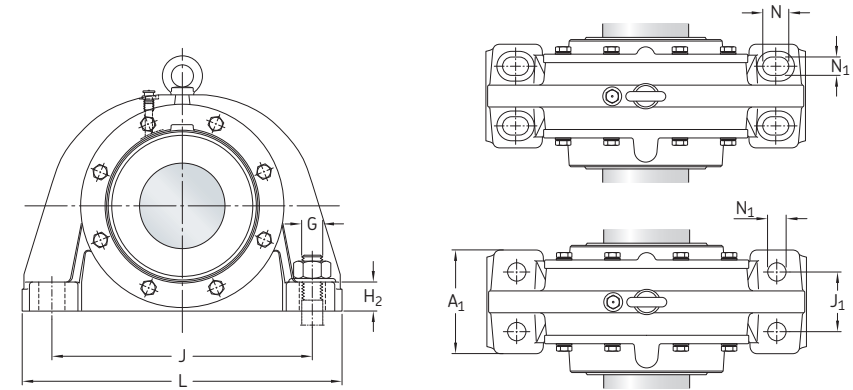
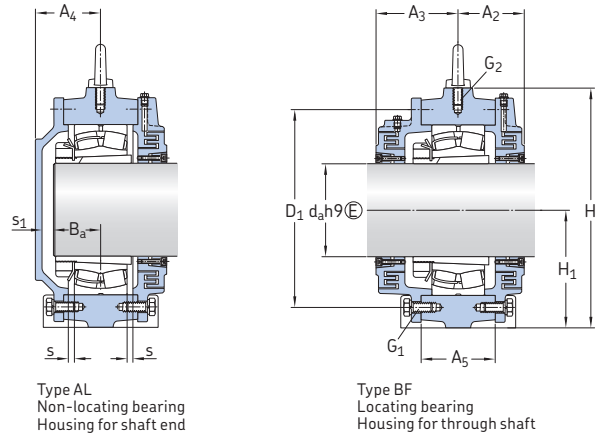
Shaft diam. d <sub>a</sub>	Housing	Appropriate parts Bearing <sup>1)</sup>	Adapter sleeve <sup>2)</sup>	Adapter ring (included)	Dimensions Housing						
					A <sub>1</sub>	A <sub>2</sub>	A <sub>3</sub>	A <sub>4</sub>	A <sub>5</sub>	D <sub>1</sub>	H
mm	–	–			mm						
60	SBDD 2213	22213 EK	H 313	PSBD 60	95	50	65	45	58	135	165
80	SBDD 2218	22218 EK	H 318	PSBD 80	110	60	70	51	55	185	220
90	SBDD 2220	22220 EK	H 320	PSBD 90	110	70	85	63	56	195	230
100	SBDD 3122	23122 CCK/W33	H 3122	PSBD 100	150	81	102	83	80	215	270
	SBDD 2222	22222 EK	H 322	PSBD 100	120	78	90	68	64	215	260
	SBDD 3222	23222 CCK/W33	H 2322	PSBD 100	130	91	103	76	90	230	285
110	SBDD 3024	23024 CCK/W33	H 3024	PSBD 110	110	63	83	63	56	195	230
	SBDD 3124	23124 CCK/W33	H 3124	PSBD 110	140	76	93	78	85	230	285
	SBDD 2224	22224 EK	H 3124	PSBD 110	130	80,5	95,5	68	70	230	275
	SBDD 3224	23224 CCK/W33	H 2334	PSBD 110	140	93	108	78	95	245	305
115	SBDD 3026	23026 CCK/W33	H 3026	PSBD 115	120	68	88	68	64	215	260
	SBDD 3126	23126 CCK/W33	H 3126	PSBD 115	140	80	100	80	90	240	295
	SBDD 2226	22226 EK	H 3126	PSBD 115	140	88	98	70	76	245	290
	SBDD 3226	23226 CCK/W33	H 2336	PSBD 115	150	103	108	78	100	260	325
125	SBDD 3028	23028 CCK/W33	H 3028	PSBD 125	130	68	88	68	70	230	275
	SBDD 3128	23128 CCK/W33	H 3128	PSBD 125	150	85	110	85	95	260	315
	SBDD 2228	22228 CCK/W33	H 3128	PSBD 125	160	94	104	83	82	275	330
	SBDD 3228	23228 CCK/W33	H 2338	PSBD 125	160	108	118	88	110	285	350
135	SBDD 3030	23030 CCK/W33	H 3030	PSBD 135	140	73	94	70	76	245	290
	SBDD 3130	23130 CCK/W33	H 3130	PSBD 135	200	93	113	93	102	285	345
	SBDD 2230	22230 CCK/W33	H 3130	PSBD 135	170	98	108	88	90	300	360
	SBDD 3230	23230 CCK/W33	H 2330	PSBD 135	170	113	123	93	120	305	375
140	SBDD 3032	23032 CCK/W33	H 3032	PSBD 140	150	78	98	76	76	260	310
	SBDD 3132	23132 CCK/W33	H 3132	PSBD 140	200	98	123	98	110	310	368
	SBDD 2232	22232 CCK/W33	H 3132	PSBD 140	180	101	116	88	96	315	370
	SBDD 3232	23232 CCK/W33	H 2332	PSBD 140	180	118	133	98	130	330	395

Shaft diam. d <sub>a</sub>	Dimensions Housing										Eye bolt acc. to DIN 580 G <sub>2</sub>	Dimensions Other		Mass Housing type	
	H <sub>1</sub>	H <sub>2</sub>	J	J <sub>1</sub>	L	N	N <sub>1</sub>	s	G	G <sub>1</sub>		B <sub>a</sub>	s <sub>1</sub>	A	B
mm	mm										–	mm		kg	
60	80	25	220	50	280	–	19	2	16	M 8	–	32	6	8,9	9,3
80	110	38	290	60	370	–	24	2	20	M 8	M 10	40	5	21	23
90	115	35	300	60	370	–	24	2	20	M 8	M 12	45	11	23	25
100	130	40	300	80	400	35	25	2	20	M 12	M 12	52	25	40	45
	130	38	340	60	410	–	24	2	20	M 8	M 12	50	11	37	40
	140	42	350	70	440	–	28	2	24	M 12	M 16	60	9	46	50
110	115	35	300	60	370	–	24	2	20	M 8	M 12	48	8	19	20
	140	40	330	80	410	35	25	2	20	M 12	M 12	56	13	45	50
	140	40	360	70	430	–	28	3	24	M 8	M 12	55	6	43	46
	150	42	370	75	470	35	30	2	24	M 12	M 16	64	7	50	55
115	130	38	340	60	410	–	24	2	20	M 8	M 12	52	9	28	30
	145	40	350	80	430	35	25	2	20	M 12	M 12	58	15	50	55
	145	42	370	80	455	–	28	3	24	M 10	M 12	57	5	52	56
	160	45	400	85	500	40	30	2	24	M 12	M 16	66	5	60	65
125	140	40	360	70	430	–	28	3	24	M 8	M 12	54	7	32	35
	155	45	380	85	470	35	25	2	20	M 12	M 12	62	16	58	65
	165	50	420	95	510	–	35	3	30	M 10	M 12	62	13	65	70
	170	50	430	85	530	40	30	3	24	M 16	M 20	72	9	74	80
135	145	42	370	80	455	–	28	3	24	M 10	M 12	56	6	37	40
	170	60	450	110	580	45	35	3	24	M 12	M 16	70	15	78	85
	180	52	450	100	540	–	35	3	30	M 12	M 16	66	14	77	82
	180	54	450	90	550	45	35	3	30	M 16	M 20	78	7	87	95
140	155	45	390	90	480	–	28	3	24	M 10	M 12	62	6	41	45
	180	55	430	110	540	40	30	3	24	M 12	M 16	75	15	90	100
	185	55	480	105	570	–	35	3	30	M 12	M 16	72	8	90	96
	190	58	490	105	600	–	35	3	30	M 16	M 20	84	6	100	110

<sup>1)</sup> Only typical bearings are listed. Other bearing variants can also fit the housing.

<sup>2)</sup> Only typical adapter sleeves are listed. Other variants can also fit the housing.

## 10.1 SBD plummer block housings for bearings on an adapter sleeve and a plain shaft d<sub>a</sub> 150 – 240 mm



Shaft diam. d <sub>a</sub>	Housing	Appropriate parts Bearing <sup>1)</sup>	Adapter sleeve <sup>2)</sup>	Adapter ring (included)	Dimensions Housing						
					A <sub>1</sub>	A <sub>2</sub>	A <sub>3</sub>	A <sub>4</sub>	A <sub>5</sub>	D <sub>1</sub>	H
mm	–	–			mm						
150	SBDD 3034	23034 CCK/W33	H 3034	PSBD 150	160	78	103	83	82	280	330
	SBDD 3134	23134 CCK/W33	H 3134	PSBD 150	200	113	136	112	120	330	395
	SBDD 2234	22234 CCK/W33	H 3134	PSBD 150	190	112,5	127,5	97	104	335	400
	SBDD 3234	23234 CCK/W33	H 2334	PSBD 150	200	128	143	103	135	345	410
	SBDD 3036	23036 CCK/W33	H 3036	PSBD 160	170	83	108	88	90	305	360
160	SBDD 3136	23136 CCK/W33	H 3136	PSBD 160	200	118	138	116	125	350	410
	SBDD 2236	22236 CCK/W33	H 3136	PSBD 160	200	118	133	102	110	360	430
	SBDD 3236	23236 CCK/W33	H 2336	PSBD 160	210	133	148	108	140	360	430
	SBDD 3038	23038 CCK/W33	H 3038	PSBD 170	180	93	118	88	96	315	370
	SBDD 3138	23138 CCK/W33	H 3138	PSBD 170	210	123	143	120	130	370	435
170	SBDD 2238	22238 CCK/W33	H 3138	PSBD 170	200	118	133	102	110	370	430
	SBDD 3238	23238 CCK/W33	H 2338	PSBD 170	220	138	153	113	150	385	455
	SBDD 3040	23040 CCK/W33	H 3040	PSBD 180	190	97	122	97	104	340	400
	SBDD 3140	23140 CCK/W33	H 3140	PSBD 180	220	127	147	127	135	380	455
	SBDD 2240	22240 CCK/W33	H 3140	PSBD 180	210	122	134,5	107	118	390	450
200	SBDD 3240	23240 CCK/W33	H 2340	PSBD 180	240	138	158	118	165	405	475
	SBDD 3044	23044 CCK/W33	OH 3044 H	PSBD 200	200	102	137	102	110	370	430
	SBDD 3144	23144 CCK/W33	OH 3144 H	PSBD 200	230	135	160	135	150	420	485
	SBDD 2244	22244 CCK/W33	OH 3144 H	PSBD 200	220	124,5	159,5	117	128	435	500
	SBDD 3244	23244 CCK/W33	OH 2344 H	PSBD 200	250	148	183	133	175	445	525
220	SBDD 3048	23048 CCK/W33	OH 3048 H	PSBD 220	210	102	142	107	118	390	450
	SBDD 3148	23148 CCK/W33	OH 3148 H	PSBD 220	250	152	182	142	160	455	550
	SBDD 2248	22248 CCK/W33	OH 3148 H	PSBD 220	250	130	165	132	144	490	570
	SBDD 3248	23248 CCK/W33	OH 2348 H	PSBD 220	250	148	188	148	190	490	590
	SBDD 3052	23052 CCK/W33	OH 3052 H	PSBD 240	220	107	147	117	128	435	500
240	SBDD 3152	23152 CCK/W33	OH 3152 H	PSBD 240	250	152	187	152	175	490	590
	SBDD 2252	22252 CCK/W33	OH 3152 H	PSBD 240	260	145	182,5	137	154	520	590
	SBDD 3252	23252 CCK/W33	OH 2352 H	PSBD 240	290	167	208	158	205	535	625

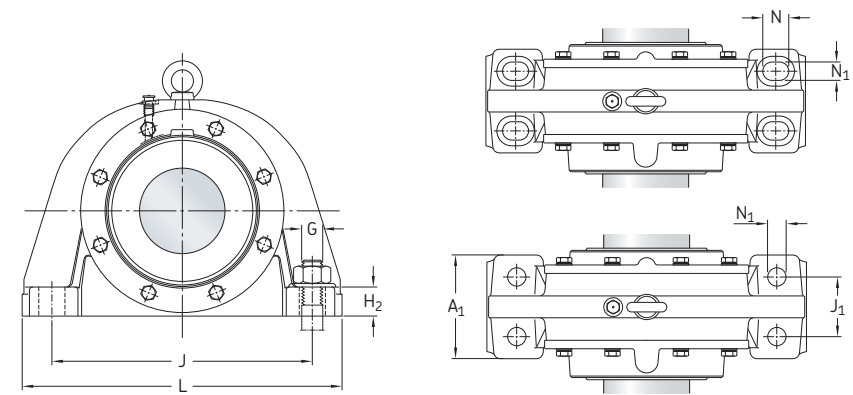
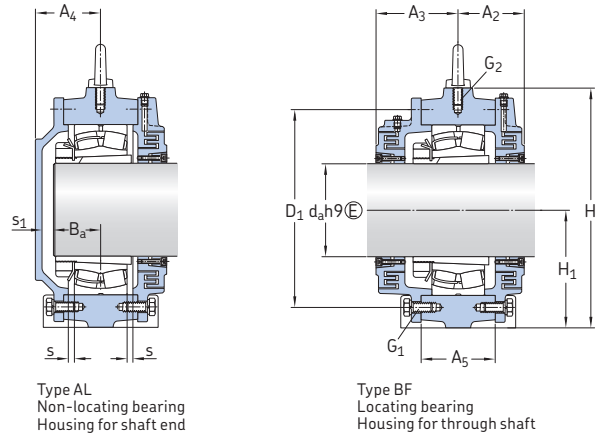
Shaft diam. d <sub>a</sub>	Dimensions Housing										Eye bolt acc. to DIN 580 G <sub>2</sub>	Dimensions Other		Mass Housing type	
	H <sub>1</sub>	H <sub>2</sub>	J	J <sub>1</sub>	L	N	N <sub>1</sub>	s	G	G <sub>1</sub>		B <sub>a</sub>	s <sub>1</sub>	A	B
mm	mm										–	mm		kg	
150	165	50	420	95	510	–	35	3	30	M10	M12	66	9	50	55
	190	60	470	110	570	45	35	3	30	M12	M20	78	26	100	110
	200	60	510	110	600	–	35	4	30	M12	M16	75	14	103	110
	200	62	525	110	640	45	35	3	30	M16	M20	88	7	130	140
	180	52	450	100	540	–	35	3	30	M12	M16	70	10	64	70
160	200	60	490	105	600	45	35	3	30	M16	M20	82	26	118	130
	215	65	540	115	640	–	42	4	36	M16	M20	78	14	112	120
	210	65	550	120	680	45	35	3	30	M16	M20	90	10	147	160
	185	55	480	105	570	–	35	3	30	M12	M16	72	8	74	80
	210	65	550	120	680	45	30	3	36	M16	M20	88	22	146	160
170	215	65	540	115	640	–	42	4	36	M16	M20	82	10	126	135
	220	75	560	120	710	45	35	4	30	M16	M20	95	10	170	185
	200	60	510	110	600	–	35	4	30	M12	M16	78	11	83	90
	220	85	560	120	710	52	42	3	36	M16	M24	95	22	175	190
	225	70	560	120	680	–	42	4	36	M16	M20	85	12	145	155
200	235	75	640	140	780	52	42	4	36	M16	M24	100	10	200	220
	215	65	540	115	640	–	42	4	36	M16	M20	80	12	107	115
	235	75	640	140	780	52	42	4	36	M16	M24	100	25	205	220
	250	75	600	130	720	–	42	4	36	M16	M20	95	10	187	200
	260	80	700	140	850	52	42	4	36	M20	M24	112	11	270	290
220	225	70	560	120	680	–	42	4	36	M16	M20	85	12	120	130
	270	80	720	140	890	52	42	4	36	M20	M24	106	26	250	270
	285	85	690	150	820	–	42	5	36	M20	M24	105	15	235	250
	290	90	750	140	900	52	42	5	36	M20	M24	122	16	345	370
	250	75	600	130	720	–	42	4	36	M16	M20	92	13	153	165
240	290	90	750	140	900	52	42	4	36	M20	M24	118	24	300	320
	295	90	730	160	860	–	42	5	36	M20	M24	110	13	290	310
	310	95	800	160	960	65	42	5	36	M20	M24	132	16	435	470

<sup>1)</sup> Only typical bearings are listed. Other bearing variants can also fit the housing.

<sup>2)</sup> Only typical adapter sleeves are listed. Other variants can also fit the housing.

# 10.1 SBD plummer block housings for bearings on an adapter sleeve and a plain shaft

$d_a$  260 – 400 mm



Shaft diam. $d_a$	Housing	Appropriate parts Bearing <sup>1)</sup>	Adapter sleeve <sup>2)</sup>	Adapter ring (included)	Dimensions Housing						
					A <sub>1</sub>	A <sub>2</sub>	A <sub>3</sub>	A <sub>4</sub>	A <sub>5</sub>	D <sub>1</sub>	H
mm	-	-			mm						
260	SBDD 3056	23056 CCK/W33	OH 3056 H	PSBD 260	240	117	157	122	128	455	520
	SBDD 3156	23156 CCK/W33	OH 3156 H	PSBD 260	250	157	197	165	175	510	590
	SBDD 2256	22256 CCK/W33	OH 3156 H	PSBD 260	270	152	192	147	158	555	630
	SBDD 3256	23256 CCK/W33	OH 2356 H	PSBD 260	300	178	218	163	210	555	645
280	SBDD 3060	23060 CCK/W33	OH 3060 H	PSBD 280	250	122	167	132	144	500	570
	SBDD 3160	23160 CCK/W33	OH 3160 H	PSBD 280	300	162	207	167	190	550	655
	SBDD 2260	22260 CCK/W33	OH 3160 H	PSBD 280	280	160	191	152	168	585	660
	SBDD 3260	23260 CCK/W33	OH 3260 H	PSBD 280	330	182	222	187	230	600	705
300	SBDD 3064	23064 CCK/W33	OH 3064 H	PSBD 300	260	122	172	137	154	520	590
	SBDD 3164	23164 CCK/W33	OH 3164 H	PSBD 300	300	177	212	187	210	590	702
	SBDD 2264	22264 CCK/W33	OH 3164 H	PSBD 300	320	175	202	167	180	640	720
	SBDD 3264	23264 CCK/W33	OH 3264 H	PSBD 300	360	192	237	187	250	640	760
320	SBDD 3068	23068 CCK/W33	OH 3068 H	PSBD 320	270	132	177	147	158	565	630
	SBDD 3168	23168 CCK/W33	OH 3168 H	PSBD 320	360	197	242	237	220	630	735
	SBDD 3268	23268 CAK/W33	OH 3268 H	PSBD 320	380	202	272	237	265	680	810
340	SBDD 3072	23072 CCK/W33	OH 3072 H	PSBD 340	280	132	182	152	168	585	660
	SBDD 3172	23172 CCK/W33	OH 3172 H	PSBD 340	370	197	247	243	225	650	760
	SBDD 3272	23272 CAK/W33	OH 3272 H	PSBD 340	400	227	282	247	275	710	825
360	SBDD 3076	23076 CCK/W33	OH 3076 H	PSBD 360	300	137	187	157	168	605	680
	SBDD 3176	23176 CAK/W33	OH 3176 H	PSBD 360	380	202	257	254	230	680	790
	SBDD 3276	23276 CAK/W33	OH 3276 H	PSBD 360	405	232	297	257	295	745	880
380	SBDD 3080	23080 CCK/W33	OH 3080 H	PSBD 380	320	142	202	167	180	650	720
	SBDD 3180	23180 CAK/W33	OH 3180 H	PSBD 380	400	197	262	247	235	710	845
	SBDD 3280	23280 CAK/W33	OH 3280 H	PSBD 380	450	242	307	257	300	790	905
400	SBDD 3084	23084 CAK/W33	OH 3084 H	PSBD 400	340	147	202	167	180	670	750
	SBDD 3184	23184 CKJ/W33	OH 3184 H	PSBD 400	420	212	289	257	260	760	900
	SBDD 3284	23284 CAK/W33	OH 3284 H	PSBD 400	470	252	317	267	315	835	955

Shaft diam. $d_a$	Dimensions Housing										Eye bolt acc. to DIN 580 $G_2$	Dimensions Other $B_a$ $s_1$	Mass Housing type		
	H <sub>1</sub>	H <sub>2</sub>	J	J <sub>1</sub>	L	N	N <sub>1</sub>	s	G	G <sub>1</sub>			A	B	kg
mm	mm										-	mm	kg		
260	260	80	630	140	760	-	42	5	36	M16	M20	96	14	177	190
	290	90	750	140	900	65	42	5	36	M24	M24	120	35	325	350
	315	95	770	170	900	-	42	5	36	M20	M24	115	18	330	350
	320	100	840	170	1000	65	42	5	36	M24	M30	135	16	490	530
	350	105	920	180	1100	75	56	6	48	M24	M30	142	33	590	640
280	285	85	690	150	820	-	42	5	36	M20	M24	105	15	215	230
	320	100	840	170	1000	65	42	5	36	M24	M30	125	32	400	430
	330	100	820	180	960	-	42	5	36	M20	M24	120	17	400	430
	350	105	920	180	1100	75	56	6	48	M24	M30	142	33	590	640
	370	115	960	200	1150	75	56	6	48	M24	M30	152	21	700	760
300	295	90	730	160	860	-	42	5	36	M20	M24	108	15	240	255
	350	100	940	160	1150	65	42	5	36	M24	M30	135	40	490	530
	360	110	900	200	1060	-	56	5	48	M24	M30	125	26	485	520
320	315	95	770	170	900	-	42	6	36	M20	M24	120	13	280	305
	370	115	960	200	1150	75	56	6	48	M24	M30	155	70	590	630
	390	125	980	200	1200	75	60	6	56	M24	M36	175	47	830	900
340	330	100	820	180	960	-	42	6	36	M20	M24	120	17	315	340
	380	115	1000	200	1200	75	56	6	48	M24	M30	160	67	660	700
	410	130	1040	210	1280	80	68	7	64	M24	M36	180	51	950	1020
360	340	105	840	190	1000	-	56	6	48	M20	M24	124	17	350	380
	390	125	1000	200	1200	75	60	6	56	M30	M30	165	73	730	770
	425	135	1100	225	1350	85	68	7	64	M30	M36	186	55	1060	1140
380	360	110	900	200	1060	-	56	6	48	M24	M30	134	17	420	450
	410	130	1040	210	1280	80	68	7	64	M30	M36	170	61	820	870
	450	145	1160	240	1430	85	68	7	64	M30	M36	196	45	1240	1330
400	375	115	940	210	1100	-	56	6	48	M24	M30	135	16	465	500
	450	135	1100	210	1350	85	68	7	64	M30	M36	190	51	1000	1070
	470	150	1220	255	1500	90	72	8	64	M30	M36	212	39	1500	1600

<sup>1)</sup> Only typical bearings are listed. Other bearing variants can also fit the housing.  
<sup>2)</sup> Only typical adapter sleeves are listed. Other variants can also fit the housing.