

SKF Separator Filter Dryer (SFD)

Protect compressed air lines from oil, water vapor and contaminants.

Wherever an uninterrupted supply of clean, dry, compressed air is critical, SKF's SFD can help. The SFD offers a reliable, cost effective way to keep air free of oil, contaminants, and water. Compact and easy to install, the unit features accessible valves and two spin on dessicant cartridges for easy maintenance.

Benefits:

- Removes water, dirt & oil and uncondensed moisture from compressed air lines down to 3 microns
- .01 micron filtration with optional coalescer filter
- Maintains a -40°F pressure dewpoint while achieving 0% compressed air humidity
- Automatically purges to eliminate water build-up; no need to manually drain
- Continued operation in cold weather without the downtime to address freeze-ups
- Compact size and spin on/off cartridges allows for quick and easy installation and maintenance
- Requires less electrical usage than alternatives
- Ideal for most spray applications, air tools and equipment



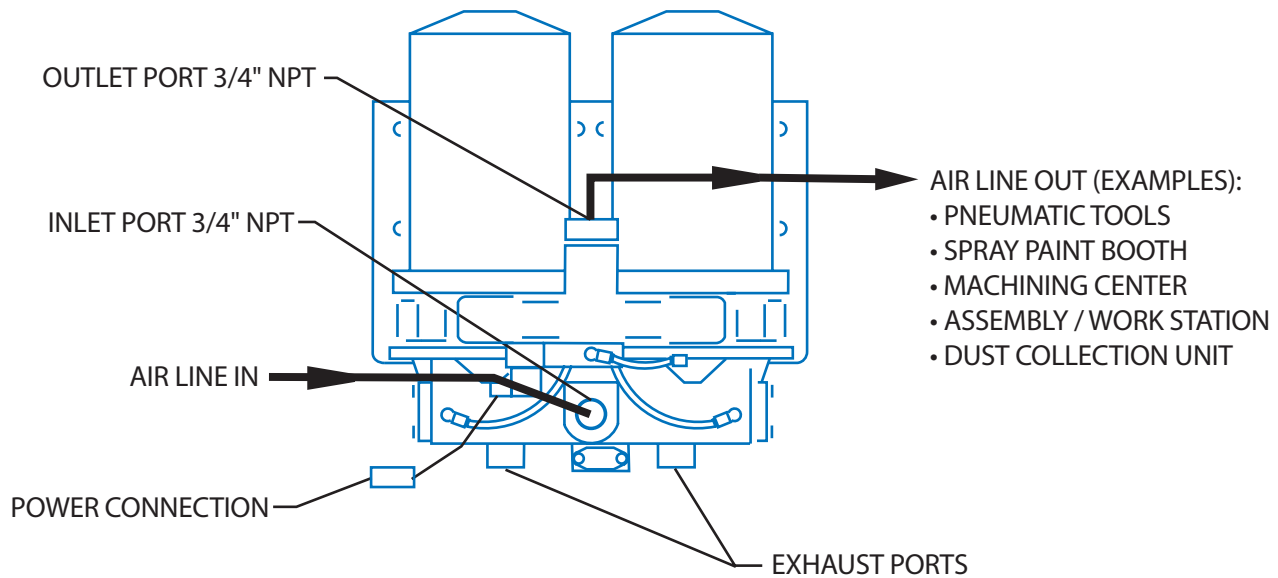
SFD can be used in any shop using pneumatic tools.



SKF VSM NA
890 N. State Street
Suite 200
Elgin, IL 60123
800-882-0008
www.vsm.skf.com



Air connection schematic



Max CFM Flow	SKF Part number	Filtration Micron Options•	Voltage
15	640377 ★	3	110
15	640393 ★	0.01	110
27	640218	0.01	110
27	640316	3	110
40	640100 ■	3	110
40	640200	3	110
40	640112	3	12V
40	640124	3	24V
40	640207	0.01	110
40	640300	3	110
80	640404	0.01	110
80	640451	3	110

ACCESSORIES	
619972	Muffler
619990	Wall Mount Bracket
619995	Universal Mount Bracket
619020	Max 20 CFM prefilter coalescer assy
619081	Max 80 CFM prefilter coalescer assy

■ Comes with universal bracket.

★ All of the SFD cartridges have 4 lbs of dessicant with the exception of dryers 640377 and 640393 which have 2 lb dessicant bag.

• 0.01 Micron options requires external prefilter coalescer.

© SKF is a registered trademark of the SKF Group.

© SKF Group 2014

The contents of this publication are the copyright of the publisher and may not be reproduced (even extracts) unless permission is granted. Every care has been taken to ensure the accuracy of the information contained in this publication but no liability can be accepted for any loss or damage whether direct, indirect or consequential arising out of the use of the information contained herein.

Publication 457381 · 10/14

Printed in U.S.A.



View detailed technical and product videos at www.skfpartsinfo.tv



Follow us on Twitter @skfpartsinfo to stay on top of all the latest technical and product information.

