

SKF Spindle nut locking system

The SKF spindle nut locking system offers a new, robust and affordable lock nut system for tractors and trailers alike. Forged, precision machined and assembled with two high-strength lock bolts, the SKF spindle nut locking system yields one of the strongest systems available today. Coupled with the precision stamped lock washer, this system provides the user with end-play adjustability that exceeds the stringent demand of today's field environment and maintenance requirements.

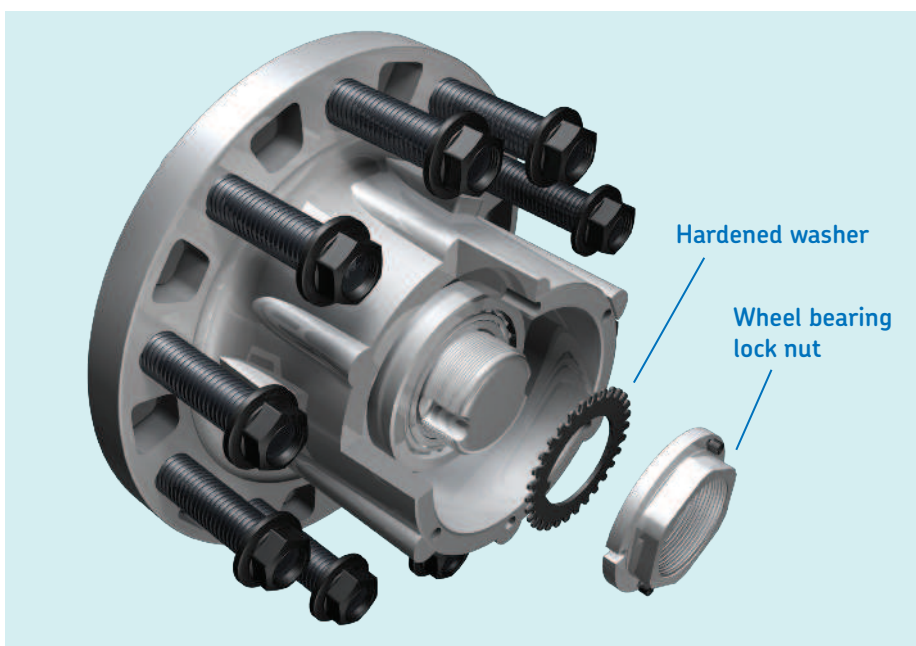


Features

- Two-piece, positive locking, bearing adjustment and wheel securement product
- Consists of a through hardened, internal tab lock washer and a forged precision machined flange nut
- Combination of locking features with precision formed threads provide extraordinary sheer strength
- Available in steering, drive and trailer sizes

Benefits

- No special tools. Easy to install.
- Provides consistent wheel bearing adjustment accuracy that helps avoid the extremes of pre-load and excessive bearing end play
- Standardized maintenance procedures for installation and adjustment
- Reliability and Performance



Spindle nut chart

Assembly part number	Add suffix for bulk qty.	Application	Thread size	Outer tapered bearing	Hex socket (6 point)	Hardened washer	Lock screws	Stemco interchange
			inches		inches			
SN150CWFF	G-45	Steer Axle-Meritor/Navistar	1.50-12	SET406	2.00	W150CWBW	8V37-8	448-4836
SN150FWFE	G-45	Steer Axle-Meritor/Eaton/Ford	1.50-18	SET406	2.00	W150CWBW	8V37-8	448-4837
SN262GWDA	G-25	Drive Axle-Meritor/Eaton/Ford/Navistar	2.625-12	BR3984/BR3920, SET408	3.00	W262KWBW	25R37-8	449-4974
SN262KWTN	G-25	Trailer Axle-Meritor/Dana/Eaton	2.625-16	SET413	3.00	W262KWBW	25R37-8	447-4743
SN325GWDT	G-20	Drive Axle-Meritor/Dana/Eaton/Mack/Navistar ³⁾	3.25-12	SET401	3.75	W325GWBW	25R37-8	449-4973
SN348GWSP ¹⁾	N/A	Trailer Axle-Meritor/Dana/Freuhauf/Hendrickson	3.48-12	SET415	4.125	W348GWBWSP	25R37-8	447-4723
SN348GWTP ²⁾	G-20	Trailer Axle-Meritor/Dana/Freuhauf/Hendrickson	3.48-12	SET415	4.125	W350GWBW	25R37-8	447-4723
SN350GWTA	G-20	Trailer Axle-Eaton	3.50-12	SET415	4.125	W350GWBW	25R37-8	447-4724

Note: Individual hardened washers and lock screws are included in the assembly or can be ordered individually

Note: Each assembly part number includes mating washer and lock screws

¹⁾ Can be used with all hubcap brands

²⁾ Designed for SKF hubcaps

³⁾ Also fits trailer axles for Meritor TR and Dana EST230-P & P22TQ (axles before 1/1/2006 & uses outer bearing SET415)

Components (can be ordered individually)

Component	Description	Notes
W150CWBW	Washer	Used with SN150CWFF and SN150FWFE
W262KWBW	Washer	Used with SN262GWDA and SN262KWTN
W325GWBW	Washer	Used with SN325GWDT
W348GWBWSP	Washer	Used with SN348GWSP
W350GWBW	Washer	Used with SN348GWTP and SN350GWTA
8V37-8	Lock screw	8-32 x 3/8 set screw (8 per bag); used on Steer applications
25R37-8	Lock screw	1/4-20 x 3/8 set screw (8 per bag); used on R Drive and Trailer applications

® SKF is a registered trademark of the SKF Group.

© SKF Group 2017

The contents of this publication are the copyright of the publisher and may not be reproduced (even extracts) unless permission is granted. Every care has been taken to ensure the accuracy of the information contained in this publication but no liability can be accepted for any loss or damage whether direct, indirect or consequential arising out of the use of the information contained herein.

Publication 457418 • rev. 06/17 • Printed in U.S.A.