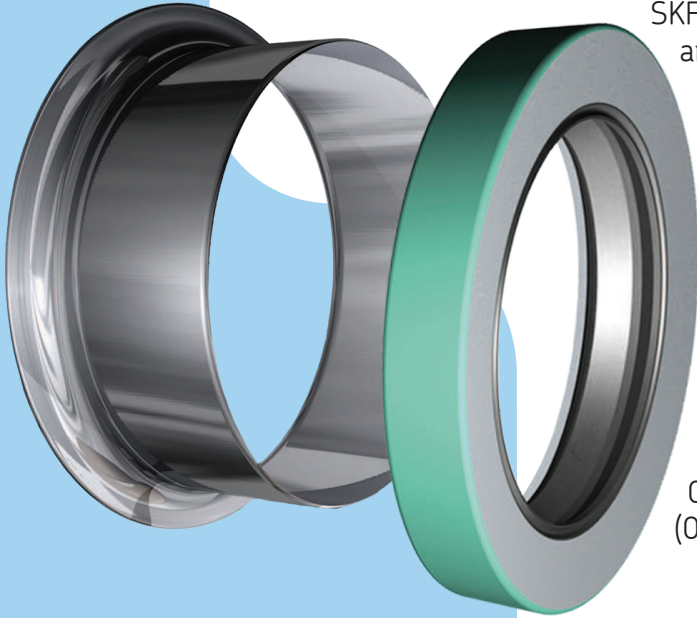


# SKF SPEEDI-SLEEVE and radial shaft seal

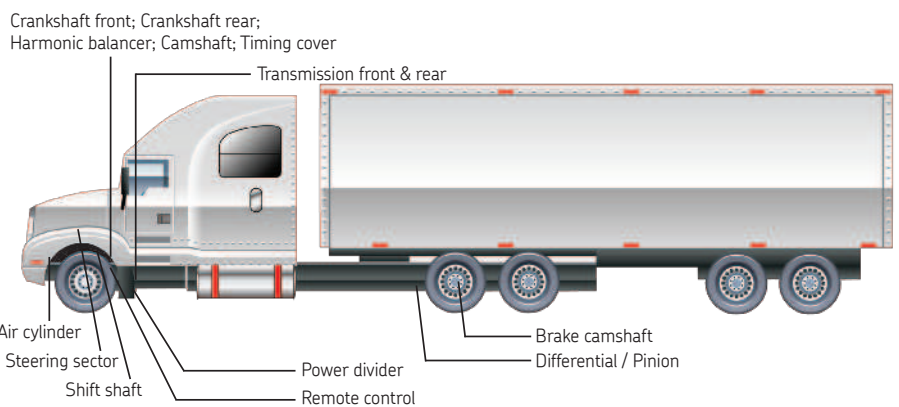
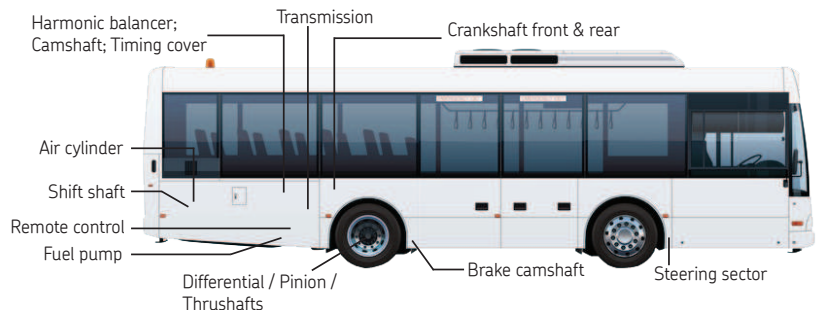


SKF dynamic radial seals come in various configurations and rubber materials. The seal can have multiple lips that not only seal in lubricant but keep out contaminants. The various rubber materials are configured to provide optimal performance in various conditions such as high temperature, lubricant compatibility, and performance in an aggressive contaminated environment.

SKF SPEEDI-SLEEVE is a fast and effective way to refinish a seal-worn shaft. This simple shaft repair solution allows for less downtime and gives the SKF grease seal an optimized running surface to seal against. SKF SPEEDI-SLEEVE is highly engineered and made from thin walled, 0.011" (0,28 mm), high quality stainless steel with 10-20 µm (0,25 to 0,5 µm) wear resistant finish.

## Applications

Illustrations here provide popular application suggestions. Some prime applications for SKF SPEEDI-SLEEVE and radial shaft seals are found on school buses. Others include charter and city bus, refuse and over-the-road tractors.



© SKF and SPEEDI-SLEEVE are registered trademarks of the SKF Group.

© SKF Group 2009  
The contents of this publication are the copyright of the publisher and may not be reproduced (even extracts) unless permission is granted. Every care has been taken to ensure the accuracy of the information contained in this publication but no liability can be accepted for any loss or damage whether direct, indirect or consequential arising out of the use of the information contained herein.

Publication 457328 · August 2009

Printed in U.S.A.

SKF Vehicle Service Market North America  
890 N. State St., Suite 200  
Elgin, IL 60123  
1-800-882-0008 • [www.vsm.skf.com](http://www.vsm.skf.com)



# Radial shaft seal interchange

| National no. | SKF no.      | SKF material | Application   | National no. | SKF no.      | SKF material | Application  | National no. | SKF no.      | SKF material | Application   |
|--------------|--------------|--------------|---------------|--------------|--------------|--------------|--------------|--------------|--------------|--------------|---------------|
| 3698         | <b>29868</b> | V            | Engine        | 415088       | <b>30095</b> | R            | Various      | 416664       | <b>27269</b> | R            | Various       |
| 3698         | <b>29870</b> | V            | Engine        | 415137       | <b>32502</b> | R            | Various      | 416956       | <b>29224</b> | R            | Various       |
| 3893V        | <b>37405</b> | V            | Transmission  | 415146       | <b>34889</b> | R            | Various      | 417316       | <b>27370</b> | R            | Transmission  |
| 4525V        | <b>25140</b> | V            | Pinion        | 415147       | <b>24988</b> | R            | Various      | 417316       | <b>27377</b> | P            | Pinion        |
| 4561V        | <b>24964</b> | V            | Pinion        | 415147N      | <b>24989</b> | P            | Transmission | 417343       | <b>26297</b> | R            | Various       |
| 4562V        | <b>30153</b> | V            | Pinion        | 415272N      | <b>27565</b> | P            | Transmission | 417343       | <b>26298</b> | R            | Various       |
| 4564V        | <b>27461</b> | V            | Pinion        | 415304       | <b>32395</b> | R            | Various      | 417349       | <b>29871</b> | R            | Various       |
| 4564V        | <b>27471</b> | R            | Various       | 415304       | <b>32397</b> | R            | Various      | 417349       | <b>29872</b> | R            | Transmission  |
| 4624V        | <b>25005</b> | V            | Pinion        | 415364H      | <b>27272</b> | V            | Various      | 417484N      | <b>27295</b> | P            | Pinion        |
| 4810V        | <b>30007</b> | V            | Pinion        | 415458       | <b>26209</b> | R            | Pinion       | 417486       | <b>29385</b> | R            | Transmission  |
| 4936V        | <b>37410</b> | V            | Pinion        | 415458       | <b>26211</b> | R            | Pinion       | 418028       | <b>32501</b> | R            | Wheel         |
| 9773         | <b>26378</b> | V            | Pinion        | 415458       | <b>26238</b> | R            | Wheel        | 435949N      | <b>29288</b> | V            | Pinion        |
| 39803        | <b>24868</b> | T            | Engine        | 415836       | <b>29951</b> | R            | Transmission | 455003       | <b>26239</b> | V            | Pinion        |
| 127592       | <b>26762</b> | V            | Pinion        | 415990       | <b>27467</b> | R            | Wheel        | 455322V      | <b>27293</b> | V            | Transfer case |
| 410519       | <b>24911</b> | R            | Various       | 415991       | <b>29380</b> | V            | Various      | 471271       | <b>24898</b> | R            | Wheel         |
| 415009N      | <b>27452</b> | P            | Pinion        | 415991       | <b>34887</b> | R            | Various      | 471271       | <b>24910</b> | R            | Transmission  |
| 415012V      | <b>29292</b> | V            | Pinion        | 415991       | <b>34888</b> | R            | Various      | 472394       | <b>29381</b> | V            | Pinion        |
| 415012V      | <b>29383</b> | V            | Transfer case | 415991N      | <b>34891</b> | P            | Transmission | 473274N      | <b>24949</b> | P            | Pinion        |
| 415013       | <b>29952</b> | R            | Pinion        | 416167       | <b>48693</b> | R            | Wheel        | 475003N      | <b>26220</b> | P            | Pinion        |
| 415013N      | <b>29925</b> | P            | Pinion        | 416167N      | <b>48692</b> | V            | Various      | 475012N      | <b>29322</b> | P            | Transfer case |
| 415027N      | <b>35083</b> | P            | Various       | 416282       | <b>27601</b> | P            | Pinion       | 475322N      | <b>27558</b> | V            | Pinion        |
| 415072       | <b>60016</b> | R            | Various       | 416339       | <b>37532</b> | R            | Various      | 476023N      | <b>29867</b> | P            | Pinion        |
| 415072       | <b>60028</b> | R            | Various       | 416470N      | <b>32385</b> | P            | Pinion       | 710180       | <b>32332</b> | V            | Various       |
| 415082N      | <b>25102</b> | P            | Pinion        | 416470N      | <b>32410</b> | V            | Pinion       | 712000       | <b>30140</b> | V            | Pinion        |
| 415082N      | <b>25106</b> | V            | Pinion        | 416624       | <b>34868</b> | R            | Various      |              |              |              |               |
| 415086N      | <b>30055</b> | P            | Pinion        | 416654       | <b>29317</b> | R            | Pinion       |              |              |              |               |

R = Nitrile    P = Polyacrylate    T = PTFE    V = Fluoroelastomers (FKM)

## Vehicle SKF SPEEDI-SLEEVE with seals—Top 70%

| Rank                    | 1  | 2   | 3   | 4   | 5   | 6                     | 7  | 8  | 9            | 10                    | 11   | 12           |
|-------------------------|--|---|---|---|---|-----------------------|--|--|--------------|-----------------------|--|--------------|
| <b>SPEEDI-SLEEVE</b>    | <b>99300</b>   | <b>99350</b>  | <b>99293</b>  | <b>99275</b>  | <b>99262</b>  | <b>99473</b>          | <b>99325</b>   | <b>99274</b>   | <b>99487</b> | <b>99599</b>          | <b>99250</b>   | <b>99372</b> |
| <b>Inch shaft range</b> | 3.000-3.006  | 3.500-3.506   | 2.937-2.943   | 2.750-2.756   | 2.625-2.2631  | 119.89-120.09         | 3.250-3.256  | 2.745-2.751  | 4.871-4.879  | 5.995-6.003           | 2.500-2.506  | 3.750-3.756  |
| <b>Applications</b>     | <b>Radial shaft seals</b>  |   |   |   |   |                       |  |  |              |                       |  |              |
| <b>Engine</b>           | <b>29868</b><br><b>29870</b>   |   |   |   |   |                       |  |  |              |                       | <b>24868</b>   | 37395        |
| <b>Pinion</b>           | <b>29867</b><br><b>29925</b><br><b>29952</b><br><b>30007</b><br><b>30055</b><br><b>30140</b><br><b>30153</b> | 34882   | <b>29288</b><br><b>29292</b><br><b>29317</b><br>29381 | <b>27295</b><br>27377<br><b>27452</b><br>27461<br>27542<br>27558<br>27601 | 26209<br>26211<br><b>26220</b><br>26239<br>26378<br>26762 |                       | <b>32385</b><br><b>32410</b>                                 | <b>27295</b><br>27377<br>27452<br><b>27542</b><br>27558<br>27601 |              |                       | 24949<br><b>24964</b><br>25005<br>25102<br>25106<br><b>25140</b> | 37410        |
| <b>Transmission</b>     | <b>29872</b><br><b>29951</b>   | <b>34891</b>  | 29385   | <b>27370</b><br><b>27565</b>  |   |                       |  | <b>27370</b><br><b>27565</b>                                     |              |                       | <b>24910</b><br>24989  | 37405        |
| <b>Transfer case</b>    |  |   | 29322<br>29383  | 27293   |   |                       |  | 27293  |              |                       | 25652  |              |
| <b>Wheel</b>            |  | 35029   |   | 27467   | <b>26238</b>  |                       | 32501<br><b>32527</b>  | 27467  | <b>48693</b> |                       | <b>24898</b>   |              |
| <b>Various</b>          | <b>29871</b><br>30095  | <b>34868</b><br>34887<br><b>34888</b><br><b>34889</b><br><b>35083</b> | 29224<br>29380  | <b>27269</b><br>27272<br><b>27471</b>                                     | <b>26297</b><br><b>26298</b>                              | <b>47264</b><br>47272 | <b>32332</b><br><b>32395</b><br><b>32397</b><br><b>32502</b> | <b>27269</b><br>27272<br>27471                                   | 48692        | 60016<br><b>60028</b> | 24911<br><b>24988</b>  | 37532        |

**Bold** part number denotes very popular radial shaft seal

