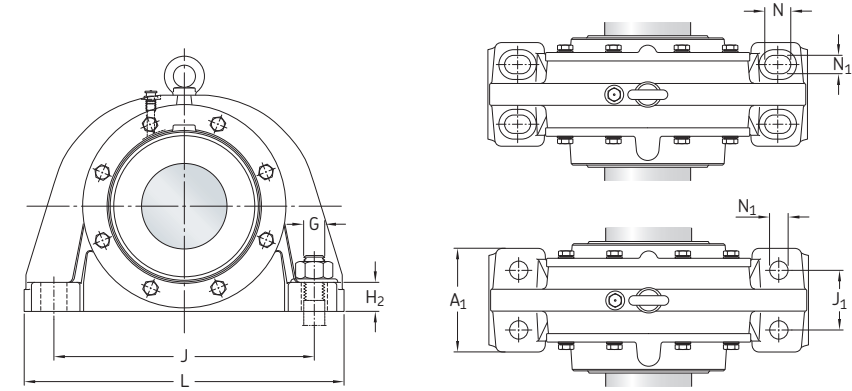
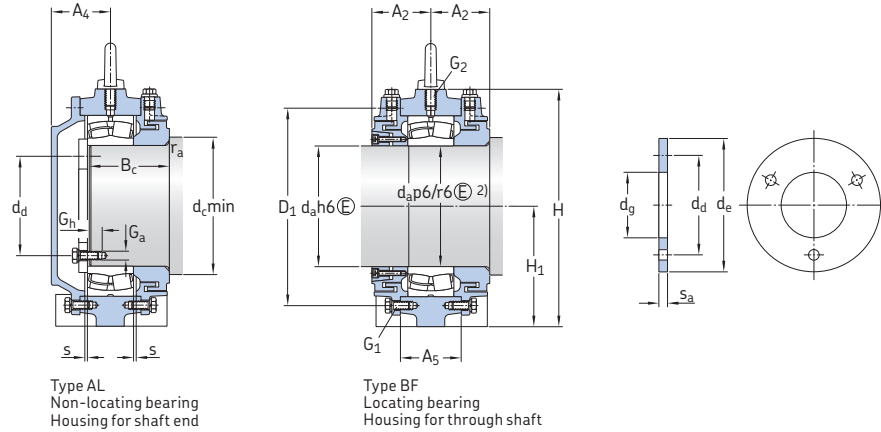


10.3 SBD plummer block housings for bearings on a cylindrical seat and a stepped shaft d_a 100 – 170 mm

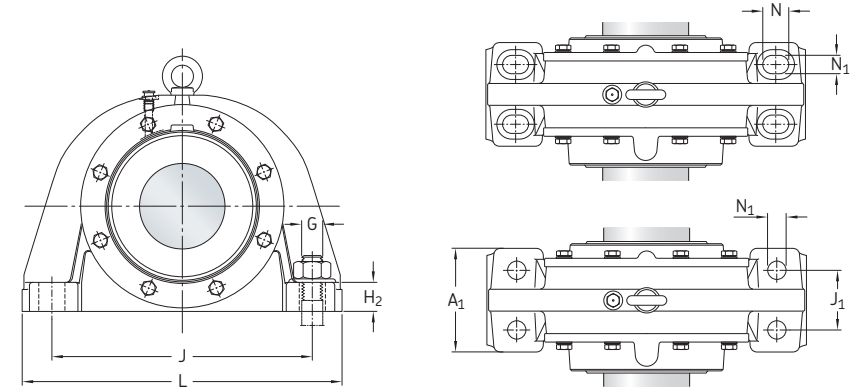
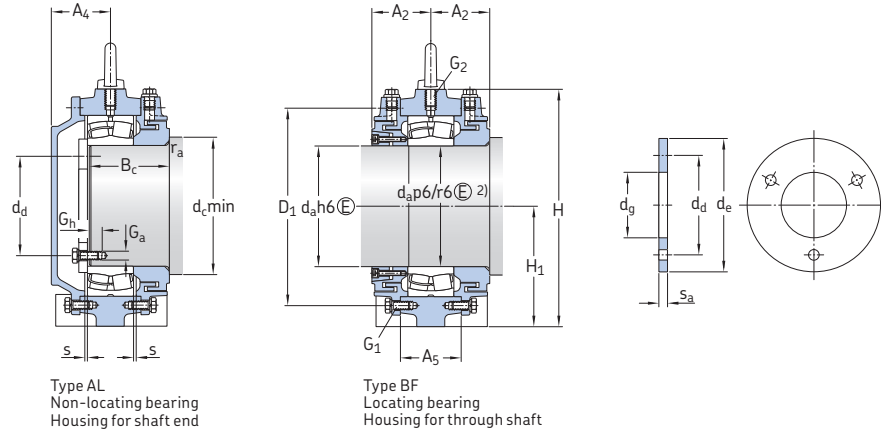


Shaft diam. d _a	Housing	Appropriate parts Bearing ¹⁾	Adapter ring (included)	Dimensions Housing										
				A ₁	A ₂	A ₄	A ₅	D ₁	H	H ₁	H ₂	J	J ₁	L
mm	–	–	–	mm										
100	SBDD 2220 E	22220 E	PSBD 100	110	70	63	56	195	230	115	35	300	60	370
110	SBDD 3122 E	23122 CC/W33	PSBD 110	150	81	83	80	215	270	130	40	300	80	400
	SBDD 2222 E	22222 E	PSBD 110	120	78	68	64	215	260	130	38	340	60	410
	SBDD 3222 E	23222 CC/W33	PSBD 110	130	91	76	90	230	285	140	42	350	70	440
120	SBDD 3024 E	23024 CC/W33	PSBD 120	110	63	63	56	195	230	115	35	300	60	370
	SBDD 3124 E	23124 CC/W33	PSBD 120	140	76	78	85	230	285	140	40	330	80	410
	SBDD 2224 E	22224 E	PSBD 120	130	80,5	68	70	230	275	140	40	360	70	430
	SBDD 3224 E	23224 CC/W33	PSBD 120	140	93	78	95	245	305	150	42	370	75	470
130	SBDD 3026 E	23026 CC/W33	PSBD 130	120	68	68	64	215	260	130	38	340	60	410
	SBDD 3126 E	23126 CC/W33	PSBD 130	140	80	80	90	240	295	145	40	350	80	430
	SBDD 2226 E	22226 E	PSBD 130	140	88	70	70	245	290	145	42	370	80	455
	SBDD 3226 E	23226 CC/W33	PSBD 130	150	103	78	100	260	325	160	45	400	85	500
140	SBDD 3028 E	23028 CC/W33	PSBD 140	130	68	68	70	230	275	140	40	360	70	430
	SBDD 3128 E	23128 CC/W33	PSBD 140	150	85	85	95	260	315	155	45	380	85	470
	SBDD 2228 E	22228 CC/W33	PSBD 140	160	94	83	82	275	330	165	50	420	95	510
	SBDD 3228 E	23228 CC/W33	PSBD 140	160	108	88	110	285	350	170	50	430	85	530
150	SBDD 3030 E	23030 CC/W33	PSBD 150	140	78	70	76	245	290	145	42	370	90	455
	SBDD 3130 E	23130 CC/W33	PSBD 150	200	93	93	102	285	345	170	60	450	110	580
	SBDD 2230 E	22230 CC/W33	PSBD 150	170	98	88	90	300	360	180	52	450	100	540
	SBDD 3230 E	23230 CC/W33	PSBD 150	170	113	93	120	305	375	180	54	450	90	550
160	SBDD 3032 E	23032 CC/W33	PSBD 160	150	78	76	76	260	310	155	45	390	90	480
	SBDD 3132 E	23132 CC/W33	PSBD 160	200	98	98	110	310	368	180	55	430	110	540
	SBDD 2232 E	22232 CC/W33	PSBD 160	180	101	88	96	315	370	185	55	480	105	570
	SBDD 3232 E	23232 CC/W33	PSBD 160	180	118	98	130	330	395	190	58	490	105	600
170	SBDD 3034 E	23034 CC/W33	PSBD 170	160	78	83	82	280	330	165	50	420	95	510
	SBDD 3134 E	23134 CC/W33	PSBD 170	200	113	112	120	330	395	190	60	470	110	570
	SBDD 2234 E	22234 CC/W33	PSBD 170	190	112,5	97	104	335	400	200	60	510	110	600
	SBDD 3234 E	23234 CC/W33	PSBD 170	200	128	103	135	345	410	200	62	525	110	640

Shaft diam. d _a	Dimensions Housing					Eye bolt acc. to DIN 580 G ₂	Dimensions Shaft abutment and fillet					End plate			Attachment bolts (for end plate)		Mass Housing type A B	
	N	N ₁	s	G	G ₁		B _c	d _c min	r _a	G _a	G _h	d _d	d _e	d _{gmax}	s _a	M10×30	M8×25	kg
mm	mm					–	mm									kg		
100	–	24	2	20	M8	M12	90	115	4	M10	18	75	115	35	10	M10×30	–	23 25
110	35	25	2	20	M12	M12	107	125	4	M8	15	90	122	58	8	M8×25	–	40 45
	–	24	2	20	M8	M12	102	125	4	M10	18	85	128	42	10	M10×30	–	37 40
	35	30	2	24	M12	M16	123	125	4	M8	15	90	128	45	8	M8×25	–	46 50
120	–	24	2	20	M8	M12	84	135	4	M10	18	95	132	58	10	M10×30	–	19 20
	35	25	3	20	M12	M12	105	135	4	M8	15	100	133	67	8	M8×25	–	45 50
	–	28	3	24	M8	M12	107	135	4	M10	18	95	138	52	10	M10×30	–	43 46
	35	30	2	24	M12	M16	128	135	4	M10	18	95	138	45	10	M10×30	–	50 55
130	–	24	2	20	M8	M12	92	150	6	M10	18	105	145	65	10	M10×30	–	28 30
	35	25	2	20	M12	M12	110	150	6	M8	15	110	145	75	8	M8×25	–	50 55
	–	28	3	24	M10	M12	117	150	6	M10	18	105	150	60	10	M10×30	–	52 56
	40	30	2	24	M12	M16	140	150	6	M10	18	105	150	55	10	M10×30	–	60 65
140	–	28	3	24	M8	M12	92	160	6	M10	18	115	155	75	10	M10×30	–	32 35
	35	25	2	20	M12	M12	116	160	6	M10	18	115	155	75	10	M10×30	–	58 65
	–	35	3	30	M10	M12	125	160	6	M10	18	115	162	68	10	M10×30	–	65 70
	40	30	3	24	M16	M20	145	160	6	M10	18	115	160	60	10	M10×30	–	74 80
150	–	28	3	24	M10	M12	104	170	6	M10	18	125	165	85	10	M10×30	–	37 40
	45	35	3	24	M12	M16	130	170	6	M10	18	125	165	85	10	M10×30	–	78 85
	–	35	3	30	M12	M16	132	170	6	M10	18	125	175	75	10	M10×30	–	77 82
	45	35	3	30	M16	M20	158	170	6	M10	18	125	170	85	10	M10×30	–	87 95
160	–	28	3	24	M10	M12	105	185	8	M10	18	135	175	95	10	M10×30	–	41 45
	40	30	3	24	M12	M16	138	185	8	M10	18	135	175	95	10	M10×30	–	90 100
	–	35	3	30	M12	M16	138	185	8	M12	20	130	185	75	12	M12×30	–	90 96
	45	35	3	30	M16	M20	167	185	8	M12	20	130	185	70	12	M12×30	–	100 110
170	–	35	3	30	M10	M12	109	195	8	M10	18	145	185	105	10	M10×30	–	50 55
	45	35	3	30	M12	M20	154	195	8	M10	18	145	185	105	10	M10×30	–	100 110
	–	35	4	30	M12	M16	152	195	8	M16	25	130	200	60	16	M16×45	–	103 110
	45	35	3	30	M16	M20	179	195	8	M12	20	140	195	75	12	M12×30	–	130 140

¹⁾ Only typical bearings are listed. Other bearing variants can also fit the housing.
²⁾ Tolerance p6 for shaft diameters up to 140 mm and tolerance r6 for larger sizes.

10.3 SBD plummer block housings for bearings on a cylindrical seat and a stepped shaft d_a 180 – 280 mm

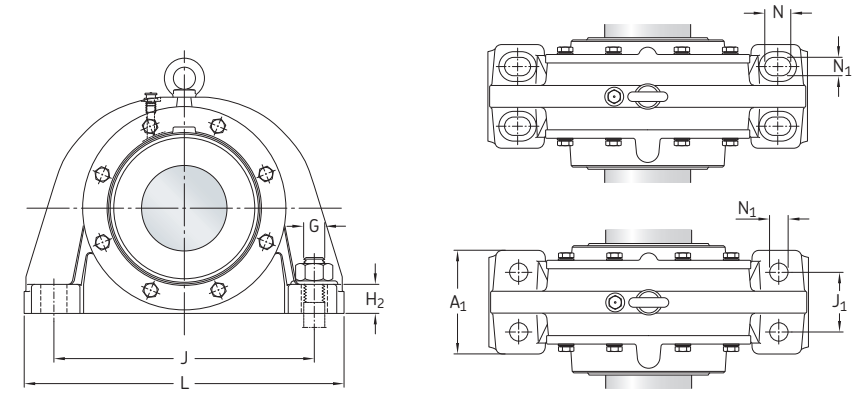
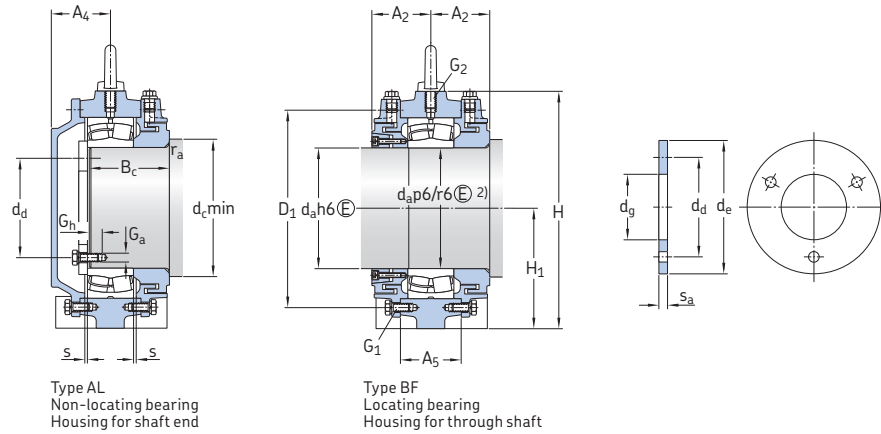


Shaft diam. d _a	Housing	Appropriate parts Bearing ¹⁾	Adapter ring (included)	Dimensions Housing											
				A ₁	A ₂	A ₄	A ₅	D ₁	H	H ₁	H ₂	J	J ₁	L	
mm	-	-	-	mm											
180	SBDD 3036 E	23036 CC/W33	PSBD 180	170	88	88	90	305	360	180	52	450	100	540	
	SBDD 3136 E	23136 CC/W33	PSBD 180	200	118	116	125	350	410	200	60	490	105	600	
	SBDD 2236 E	22236 CC/W33	PSBD 180	200	118	102	110	360	430	215	65	540	115	640	
	SBDD 3236 E	23236 CC/W33	PSBD 180	210	133	108	140	360	430	210	65	550	120	680	
190	SBDD 3038 E	23038 CC/W33	PSBD 190	180	93	88	96	315	370	185	55	480	105	570	
	SBDD 3138 E	23138 CC/W33	PSBD 190	210	123	120	130	370	435	210	65	550	120	680	
	SBDD 2238 E	22238 CC/W33	PSBD 190	200	118	102	110	370	430	215	65	540	115	640	
	SBDD 3238 E	23238 CC/W33	PSBD 190	220	138	113	150	385	455	220	75	560	120	710	
200	SBDD 3040 E	23040 CC/W33	PSBD 200	190	97	97	104	340	400	200	60	510	110	600	
	SBDD 3140 E	23140 CC/W33	PSBD 200	220	127	127	135	380	455	220	85	560	120	710	
	SBDD 2240 E	22240 CC/W33	PSBD 200	210	122	107	118	390	450	225	70	560	120	680	
	SBDD 3240 E	23240 CC/W33	PSBD 200	240	138	118	165	405	475	235	75	640	140	780	
220	SBDD 3044 E	23044 CC/W33	PSBD 220	200	102	102	110	370	430	215	65	540	115	640	
	SBDD 3144 E	23144 CC/W33	PSBD 220	230	135	135	150	420	485	235	75	640	140	780	
	SBDD 2244 E	22244 CC/W33	PSBD 220	220	124,5	117	128	435	500	250	75	600	130	720	
	SBDD 3244 E	23244 CC/W33	PSBD 220	250	148	133	175	445	525	260	80	700	140	850	
240	SBDD 3048 E	23048 CC/W33	PSBD 240	210	102	107	118	290	450	225	70	560	120	680	
	SBDD 3148 E	23148 CC/W33	PSBD 240	250	152	142	160	455	550	270	80	720	140	890	
	SBDD 2248 E	22248 CC/W33	PSBD 240	250	130	132	144	490	570	285	85	690	150	820	
	SBDD 3248 E	23248 CC/W33	PSBD 240	250	148	148	190	490	590	290	90	750	140	900	
260	SBDD 3052 E	23052 CC/W33	PSBD 260	220	107	117	128	435	500	250	75	600	130	720	
	SBDD 3152 E	23152 CC/W33	PSBD 260	250	152	152	175	490	590	290	90	750	140	900	
	SBDD 2252 E	22252 CC/W33	PSBD 260	260	145	137	154	520	590	295	90	730	160	860	
	SBDD 3252 E	23252 CC/W33	PSBD 260	290	167	158	205	535	625	310	95	800	160	960	
280	SBDD 3056 E	23056 CC/W33	PSBD 280	240	117	122	128	455	520	260	80	630	140	760	
	SBDD 3156 E	23156 CC/W33	PSBD 280	250	157	165	175	510	590	290	90	750	140	900	
	SBDD 2256 E	22256 CC/W33	PSBD 280	270	152	147	158	555	630	315	95	770	170	900	
	SBDD 3256 E	23256 CC/W33	PSBD 280	300	178	163	210	555	645	320	100	840	170	1000	

Shaft diam. d _a	Dimensions Housing					Eye bolt acc. to DIN 580 G ₂	Dimensions Shaft abutment and fillet					End plate			Attachment bolts (for end plate)		Mass Housing type A B	
	N	N ₁	s	G	G ₁		B _c	d _c min	r _a	G _a	G _H	d _d	d _e	d _{gmax}	s _a	M	N	kg
180	-	35	3	30	M12	M16	122	205	8	M10	18	155	195	115	10	M10x30	64	70
	45	35	3	30	M16	M20	163	205	8	M12	20	150	195	105	12	M12x30	118	130
	-	42	4	36	M16	M20	157	205	8	M16	25	140	210	70	16	M16x45	112	120
	45	35	3	30	M16	M20	185	205	8	M12	20	150	205	85	12	M12x30	147	160
190	-	35	3	30	M12	M16	128	215	8	M12	20	160	205	115	12	M12x30	74	80
	45	35	3	36	M16	M20	172	215	8	M12	20	160	210	110	12	M12x30	146	160
	-	42	4	36	M16	M20	160	215	8	M16	25	150	220	80	16	M16x45	126	135
	45	35	4	30	M16	M20	197	215	8	M12	20	160	215	95	12	M12x30	170	185
200	-	35	4	30	M12	M16	135	225	8	M16	25	160	215	105	16	M16x45	83	90
	52	42	3	36	M16	M24	180	225	8	M12	20	170	220	120	12	M12x30	175	190
	-	42	4	36	M16	M20	167	225	8	M20	30	150	235	65	20	M20x55	145	155
	52	42	4	36	M16	M24	198	225	8	M16	25	160	230	80	16	M16x45	200	220
220	-	42	4	36	M16	M20	144	245	8	M16	25	180	240	120	16	M16x45	107	115
	52	42	4	36	M16	M24	191	245	8	M16	25	180	245	115	16	M16x45	205	220
	-	42	4	36	M16	M20	175	245	8	M20	30	170	260	80	20	M20x55	187	200
	52	42	4	36	M20	M24	216	245	8	M16	25	180	255	95	16	M16x45	270	290
240	-	42	4	36	M16	M20	145	265	8	M20	30	190	260	120	20	M20x55	120	130
	52	42	4	36	M20	M24	212	265	8	M16	25	200	265	135	16	M16x45	250	270
	-	42	5	36	M20	M24	186	265	8	M20	30	190	285	95	20	M20x55	235	250
	52	42	5	36	M20	M24	224	265	8	M16	25	200	280	110	16	M16x45	345	370
260	-	42	4	36	M16	M20	155	285	8	M20	30	210	285	135	20	M20x55	153	165
	52	42	4	36	M20	M24	220	285	8	M16	25	220	285	155	16	M16x45	300	320
	-	42	5	36	M20	M24	205	285	8	M20	30	210	305	95	20	M20x55	290	310
	65	42	5	36	M20	M24	249	285	8	M16	25	220	305	115	16	M16x45	435	470
280	-	42	5	36	M16	M20	166	305	8	M20	30	230	305	155	20	M20x55	177	190
	65	42	5	36	M24	M24	225	305	8	M16	25	240	305	175	16	M16x45	325	350
	-	42	5	36	M20	M24	212	305	8	M24	35	220	325	195	24	M24x65	330	350
	65	42	5	36	M24	M30	261	305	8	M20	30	230	325	80	20	M20x55	490	530

¹⁾ Only typical bearings are listed. Other bearing variants can also fit the housing.

10.3 SBD plummer block housings for bearings on a cylindrical seat and a stepped shaft d_a 300 – 420 mm



Shaft diam. d _a	Housing	Appropriate parts Bearing ¹⁾	Adapter ring (included)	Dimensions Housing										
				A ₁	A ₂	A ₄	A ₅	D ₁	H	H ₁	H ₂	J	J ₁	L
mm	-	-		mm										
300	SBDD 3060 E	23060 CC/W33	PSBD 300	250	122	132	144	500	570	285	85	690	150	820
	SBDD 3160 E	23160 CC/W33	PSBD 300	300	162	167	190	550	655	320	100	840	170	1000
	SBDD 2260 E	22260 CC/W33	PSBD 300	280	160	152	168	585	660	330	100	820	180	960
	SBDD 3260 E	23260 CC/W33	PSBD 300	330	182	187	230	600	705	350	105	920	180	1100
320	SBDD 3064 E	23064 CC/W33	PSBD 320	260	122	137	154	520	590	295	90	730	160	860
	SBDD 3164 E	23164 CC/W33	PSBD 320	300	177	187	210	590	702	350	100	940	160	1150
	SBDD 2264 E	22264 CC/W33	PSBD 320	320	175	167	180	640	720	360	110	900	200	1060
	SBDD 3264 E	23264 CC/W33	PSBD 320	360	192	187	250	640	760	370	115	960	200	1150
340	SBDD 3068 E	23068 CC/W33	PSBD 340	270	132	147	158	565	630	315	95	770	170	900
	SBDD 3168 E	23168 CC/W33	PSBD 340	360	197	237	220	630	735	370	115	960	200	1150
	SBDD 3268 E	23268 CA/W33	PSBD 340	380	202	237	265	680	810	390	125	980	200	1200
360	SBDD 3072 E	23072 CC/W33	PSBD 360	280	132	152	168	585	660	330	100	820	180	960
	SBDD 3172 E	23172 CC/W33	PSBD 360	370	197	243	225	650	760	380	115	1000	200	1200
	SBDD 3272 E	23272 CA/W33	PSBD 360	400	227	247	275	710	825	410	130	1040	210	1280
380	SBDD 3076 E	23076 CC/W33	PSBD 380	300	137	157	168	605	680	340	105	840	190	1000
	SBDD 3176 E	23176 CA/W33	PSBD 380	380	202	254	230	680	790	390	125	1000	200	1200
	SBDD 3276 E	23276 CA/W33	PSBD 380	405	232	257	295	745	880	425	135	1100	225	1350
400	SBDD 3080 E	23080 CC/W33	PSBD 400	320	142	167	180	650	720	360	110	900	200	1060
	SBDD 3180 E	23180 CA/W33	PSBD 400	400	197	247	235	710	845	410	130	1040	210	1280
	SBDD 3280 E	23280 CA/W33	PSBD 400	450	242	257	300	790	905	450	145	1160	240	1430
420	SBDD 3084 E	23084 CA/W33	PSBD 420	340	147	167	180	670	750	375	115	940	210	1100
	SBDD 3184 E	23184 CJ/W33	PSBD 420	420	212	257	260	760	900	450	135	1100	210	1350
	SBDD 3284 E	23284 CA/W33	PSBD 420	470	252	267	315	835	955	470	150	1220	255	1500

Shaft diam. d _a	Dimensions Housing						Eye bolt acc. to DIN 580 G ₂	Dimensions Shaft abutment and fillet					End plate			Mass Housing type A B		
	N	N ₁	s	G	G ₁	G ₂		B _c	d _c min	r _a	G _a	G _H	d _d	d _e	d _{gmax}	s _a	attachment bolts (for end plate)	kg
mm	mm																	
300	-	42	5	36	M 20	M 24	177	325	8	M 20	30	250	325	175	20	M 20x55	215	230
	65	42	5	36	M 24	M 30	237	325	8	M 20	30	250	325	175	20	M 20x55	400	430
	-	42	5	36	M 20	M 24	225	325	8	M 24	35	240	350	105	24	M 24x65	400	430
	75	56	6	48	M 24	M 30	273	325	8	M 20	30	250	350	120	20	M 20x55	590	640
320	-	42	5	36	M 20	M 24	179	345	8	M 20	30	270	345	195	20	M 20x55	240	255
	65	42	5	36	M 24	M 30	260	345	8	M 20	30	270	350	190	20	M 20x55	490	530
	-	56	5	48	M 24	M 30	245	345	8	M 24	35	260	375	120	24	M 24x65	485	520
	75	56	6	48	M 24	M 30	291	345	8	M 24	35	260	375	110	24	M 24x65	700	760
340	-	42	6	36	M 20	M 24	194	365	8	M 24	35	280	370	190	24	M 24x65	280	305
	75	56	6	48	M 24	M 30	287	365	8	M 24	35	280	370	190	24	M 24x65	590	630
	75	60	6	56	M 24	M 36	308	365	8	M 24	35	280	420	125	24	M 24x65	830	900
360	-	42	6	36	M 20	M 24	194	385	8	M 24	35	300	390	210	24	M 24x65	315	340
	75	56	6	48	M 24	M 30	288	385	8	M 24	35	300	390	210	24	M 24x65	660	700
	80	68	7	64	M 24	M 36	337	385	8	M 24	35	300	440	145	24	M 24x65	950	1020
380	-	56	6	48	M 20	M 24	200	405	8	M 24	35	320	410	230	24	M 24x65	350	380
	75	60	6	56	M 30	M 30	294	405	8	M 24	35	320	410	230	24	M 24x65	730	770
	85	68	7	64	M 30	M 36	346	405	8	M 30	45	305	465	130	30	M 30x80	1060	1140
400	-	56	6	48	M 24	M 30	211	425	8	M 24	35	340	430	250	24	M 24x65	420	450
	80	68	7	64	M 30	M 36	291	425	8	M 24	35	340	430	250	24	M 24x65	820	870
	85	68	7	64	M 30	M 36	364	425	8	M 30	45	325	495	145	30	M 30x80	1240	1330
420	-	56	6	48	M 24	M 30	217	445	8	M 30	40	345	450	240	30	M 30x80	465	500
	85	68	7	64	M 30	M 36	318	445	8	M 30	45	345	450	240	30	M 30x80	1000	1070
	90	72	8	64	M 30	M 36	380	445	8	M 30	45	345	520	155	30	M 30x80	1500	1600

¹⁾ Only typical bearings are listed. Other bearing variants can also fit the housing.