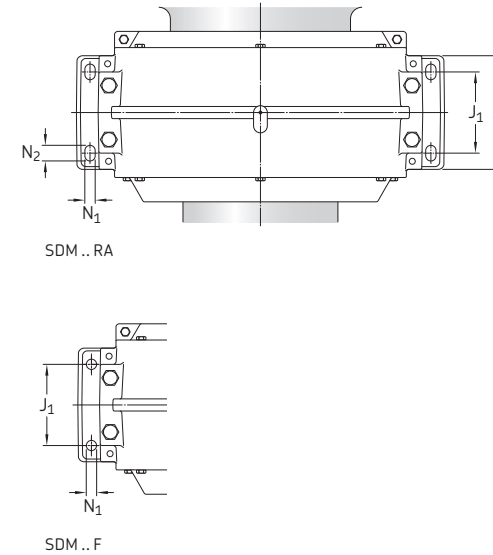
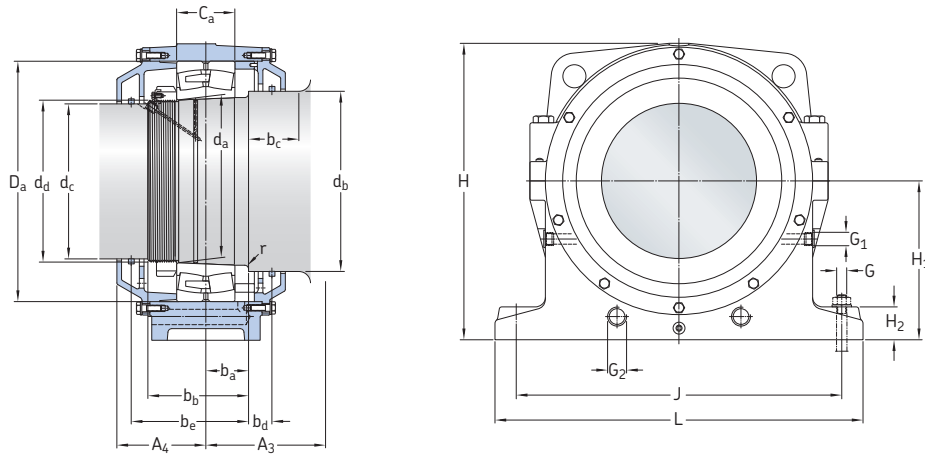


13.6 SDM Yankee cylinder housings, with inch connection threads

d 340 – 600 mm
13.368 – 23.622 in.



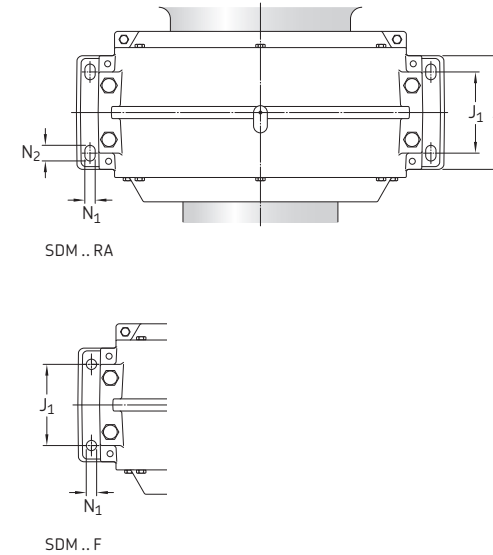
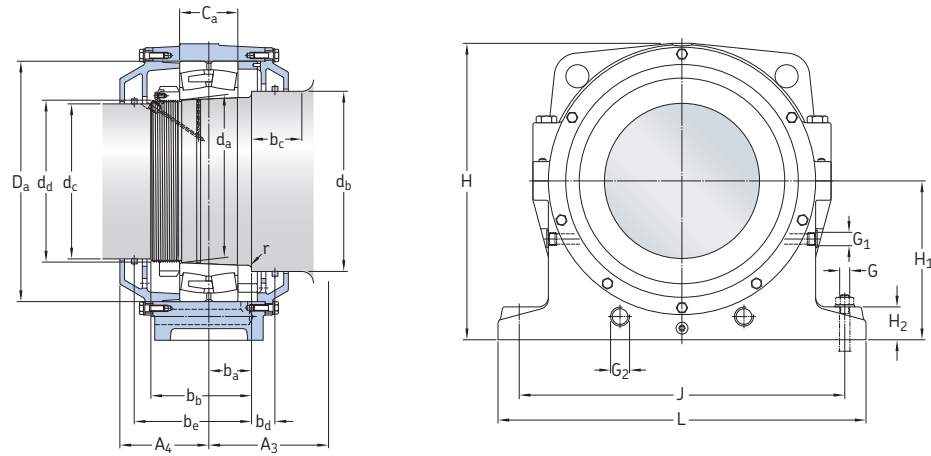
Shaft diameter d _a	Housing Designation	Appropriate parts Bearing ¹⁾	Lock nut	Locking clip	Dimensions Housing													Mass Housing	
					A ₁	A ₃	A ₄	C _a	D _a	H	H ₁	H ₂	J	J ₁	L				
mm/in.	–	–			mm														
340 13.368	SDM 3068 FN9	23068 CCK/W33	N 068	PL 68	260	195	210	133	520	650	345	75	760	170	860				
	SDM 3068 RAN9	C 3068 K																	
380 14.961	SDM 3168 FN9	23168 CCK/W33	N 068	PL 68	320	210	255	190	580	740	400	80	800	180	900				
	SDM 3168 RAN9	C 3168 KM																	
420 16.535	SDM 3084 FN9	23084 CCK/W33	N 076	PL 76	260	200	220	135	560	710	380	80	790	170	890				
	SDM 3084 RAN9	C 3084 K																	
420 16.535	SDM 3084 FN9	23084 CAK/W33	N 084	PL 84	280	205	230	150	620	765	410	85	840	180	950				
	SDM 3084 RAN9	C 3084 KM																	
460 18.110	SDM 3184 FN9	23184 CKJ/W33	N 084	PL 84	400	290	310	224	700	910	480	85	1045	280	1165				
	SDM 3184 RAN9	C 3184 KM																	
460 18.110	SDM 3092 FN9	23092 CAK/W33	N 092	PL 92	310	220	250	163	680	850	450	85	970	200	1090				
	SDM 3092 RAN9	C 3092 KM/C3																	
530 20.866	SDM 30/530 FN9	230/530 CAK/W33	N 530	PL 530	360	240	270	185	780	960	510	85	1090	240	1200				
	SDM 30/530 RAN9	C 30/530 KM																	
530 20.866	SDM 31/530 FN9	231/530 CAK/W33	N 530	PL 530	410	325	355	272	870	1065	550	85	1220	240	1360				
	SDM 31/530 RAN9	C 31/530 KM																	
600 23.622	SDM 30/600 FN9	230/600 CAK/W33	N 600	PL 600	410	325	355	200	870	1065	550	85	1220	240	1360				
	SDM 30/600 RAN9	C 30/600 KM/C3																	

Shaft diameter d _a	Housing			Shaft			Dimensions							Mass Housing			
	N ₁	N ₂	G	G ₁	G ₂	b _a	b _b	b _c min.	b _d	b _e	d _b	d _c	d _d			threads/ r inch	
mm/in.	mm	in.	in.	mm	mm	mm	mm	mm	mm	mm	mm	mm	mm	in.	–	mm	kg
340 13.368	30	50	1 UNC	NPTF1	NPTF 1.1/4	95	225	130	65	270	380	320	13.303	5	10	386	
	30	50	1 UNC	NPTF1	NPTF 2	130	295	110	48	353	390	320	13.303	5	10	572	
380 14.961	30	50	1 UNC	NPTF1	NPTF 1.1/4	95	230	135	70	280	420	360	14.921	5	10	475	
	30	50	1 UNC	NPTF1	NPTF 1.1/2	110	260	130	60	305	465	400	16.496	5	10	494	
420 16.535	30	50	1 UNC	NPTF1	NPTF 1.1/2	180	375	150	70	450	465	400	16.496	5	10	882	
	30	50	1 UNC	NPTF1	NPTF 1.1/2	110	270	140	70	320	510	430	18.071	5	10	750	
530 20.866	38	58	1.1/4 UNC	NPTF1	NPTF 2	135	300	140	65	365	580	500	20.827	4	10	914	
	38	58	1.1/4 UNC	NPTF1	NPTF 2	195	425	160	85	505	590	500	20.827	4	10	1530	
600 23.622	38	58	1.1/4 UNC	NPTF1	NPTF 2	160	345	195	120	470	660	560	23.583	4	15	1550	

¹⁾ 23(000) and 23(0)/(000) – spherical roller bearing, C... – CARB toroidal roller bearing. Only typical bearings are listed. Other bearing variants can also fit the housing.

13.6 SDM Yankee cylinder housings, with inch connection threads

d 630–670 mm
24.803 – 26.378 in.



Shaft diameter d_a	Housing Designation	Appropriate parts Bearing ¹⁾	Lock nut	Locking clip	Dimensions Housing												
					A_1	A_3	A_4	C_a	D_a	H	H_1	H_2	J	J_1	L		
mm/in.	–	–			mm												
630 24.803	SDM 31/630 FN9 SDM 31/630 RAN9	231/630 CAK/C3W33 C 31/630 KMB/HA3C4	N 630	PL 630	510	²⁾	²⁾	315	1030	²⁾	700	²⁾	1330	350	1500		
670 26.378	SDM 30/670 FN9 SDM 30/670 RAN9	230/670 CAK/W33 C 30/670 KM/HA3C4	N 670	PL 670	420	300	330	230	980	1180	620	85	1260	300	1380		

Shaft diameter d_a	Dimensions Housing			Shaft										Mass Housing			
	N_1	N_2	G	G_1	G_2	b_a	b_b	b_c min.	b_d	b_e	d_b	d_c	d_d	threads/ r inch	mm	kg	
mm/in.	mm	in.				mm					in.				–	mm	kg
630 24.803	38	58	1.1/4 UNC	NPTF 1	NPTF 2	¹⁾	¹⁾	¹⁾	¹⁾	¹⁾	710	590	24.760	4	¹⁾	¹⁾	
670 26.378	38	58	1.1/4 UNC	NPTF 1	NPTF 2	190	395	150	65	475	750	630	26.339	4	15	1420	

¹⁾ 23(000) and 23(0)/(000) – spherical roller bearing, C... – CARB toroidal roller bearing. Only typical bearings are listed. Other bearing variants can also fit the housing.
²⁾ Contact SKF for missing values.

¹⁾ Contact SKF for missing values.