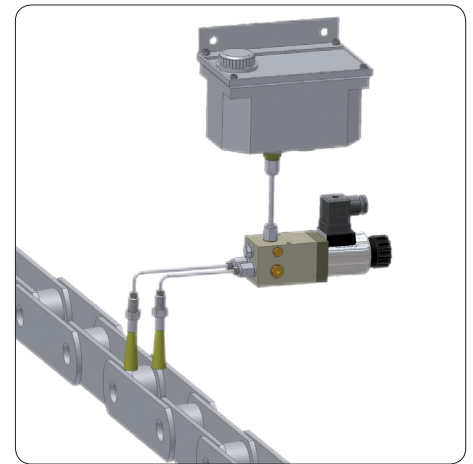


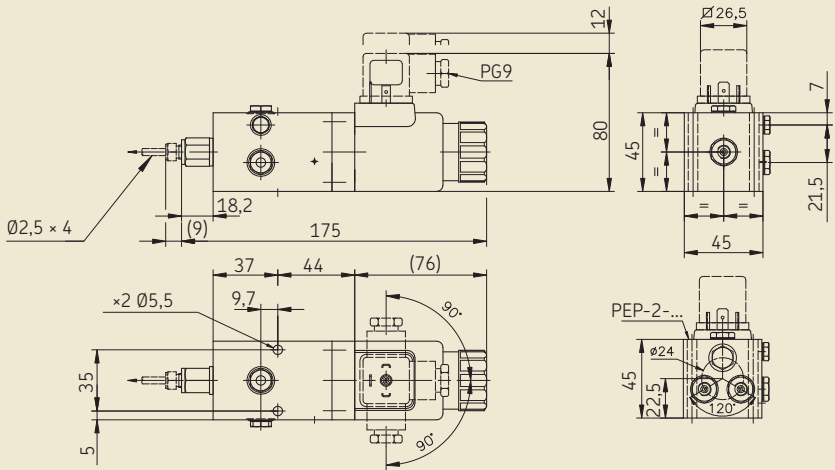
Electromagnetic pump PEP

for chain lubrication with oiling brushes



- Designed for oil with an eff. viscosity up to 1 000 mm²/s
- 1, 2 or 3 lubricant outlets
- Volumetric metering
- Flow rates: 20, 40 or 60 mm³ per stroke and outlet

Electromagnetic pump PEP



Order information

Order No.	Out-lets	Flow rate / stroke / outlet ¹⁾ [mm ³]
PEP-1-20+924	1	20
PEP-1-40+924	1	40
PEP-1-60+924	1	60
PEP-2-20+924	2	20
PEP-2-40+924	2	40
PEP-2-60+924	2	60
PEP-3-20+924	3	20
PEP-3-40+924	3	40
PEP-3-60+924	3	60

1) Every pump is delivered with two additional plungers corresponding to the other flow rates.

Technical data

Number of outlets	1, 2 or 3
Inlet pressure	0,01 ≤ P ≤ 0,5 bar
Delivery pressure max.	80 bar
Flow rate per stroke and outlet	20, 40 or 60 mm ³
Lubricant eff. viscosity	1 000 mm ² /s
Operating temperature	-20 to +60 °C
Mechanical service life max.	20 × 10 ⁶ strokes
Weight	1 120 – 1 150 g
Mounting position	horizontal

Electromagnet

Voltage*	24 V DC
Power	125 W
Current max.	4,8 A
Duty ratio	40%
Insulation class	F (acc. to VDE 0580)

*) for other voltages please consult us

Note!

Unused pump lubricant outlets shall not be closed!

Accessories*

Connector (for 24 V DC)
(insulation class VDE 0110-1/89)
Order No. AC.2218

*) to be ordered separately