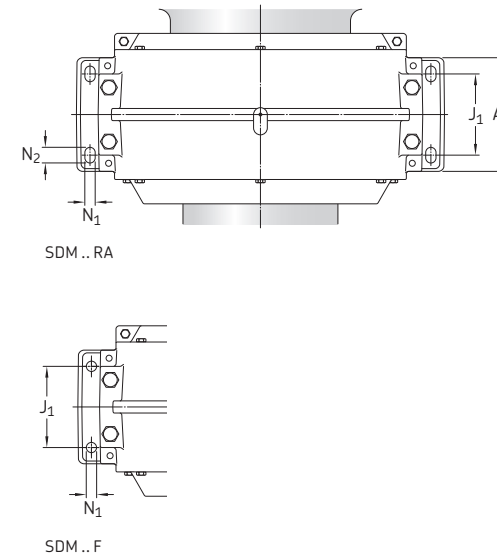
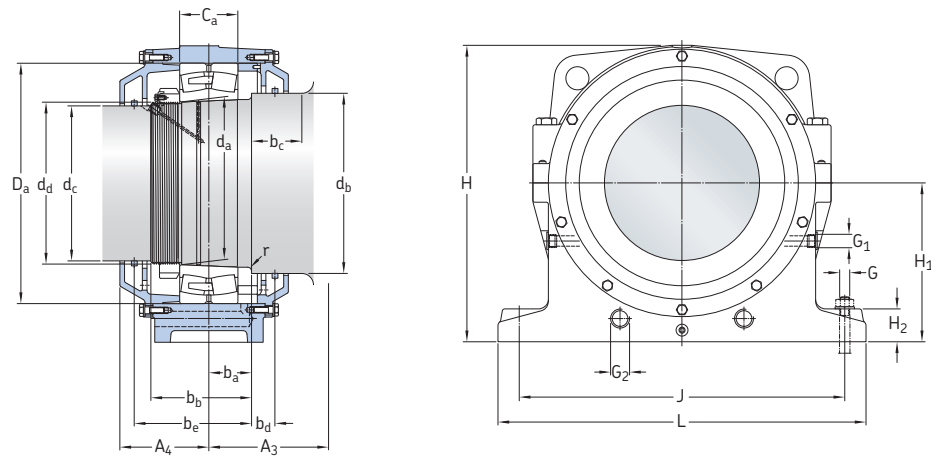


### 13.5 SDM Yankee cylinder housings d 340 – 600 mm

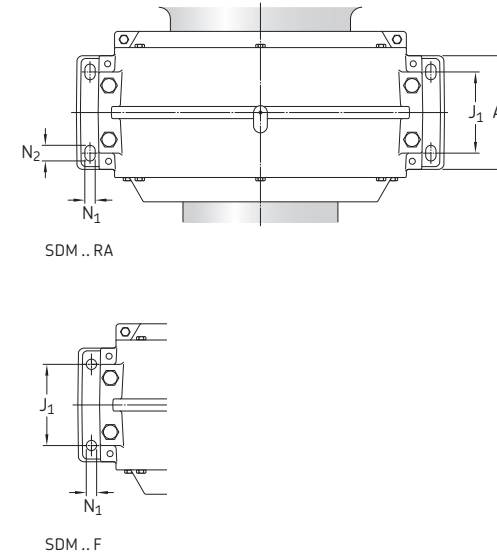
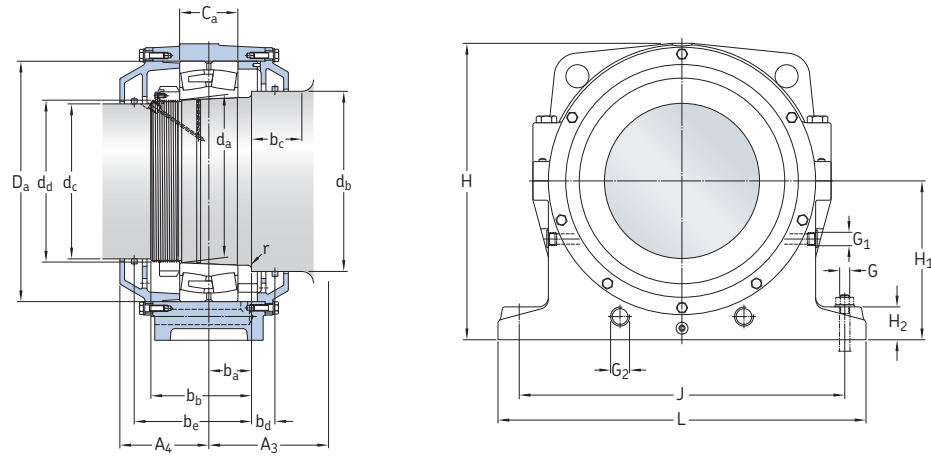


Shaft diameter d <sub>a</sub>	Housing Designation	Appropriate parts Bearing <sup>1)</sup>	Lock nut	Locking clip	Dimensions Housing												
					A <sub>1</sub>	A <sub>3</sub>	A <sub>4</sub>	C <sub>a</sub>	D <sub>a</sub>	H	H <sub>1</sub>	H <sub>2</sub>	J	J <sub>1</sub>	L		
mm	–	–			mm												
340	SDM 3068 F	23068 CCK/W33	HM 3068	MS 3068-64	260	195	210	133	520	650	345	75	760	170	860		
	SDM 3068 RA	C 3068 K															
380	SDM 3168 F	23168 CCK/W33	HM 3068	MS 3068-64	320	210	255	190	580	740	400	80	800	180	900		
	SDM 3168 RA	C 3168 KM															
380	SDM 3076 F	23076 CCK/W33	HM 3076	MS 3080-76	260	200	220	135	560	710	380	80	790	170	890		
	SDM 3076 RA	C 3076 K															
420	SDM 3084 F	23084 CAK/W33	HM 3084	MS 3084	280	205	230	150	620	765	410	85	840	180	950		
	SDM 3084 RA	C 3084 KM															
460	SDM 3184 F	23184 CKJ/W33	HM 3084	MS 3084	400	290	310	224	700	910	480	85	1045	280	1165		
	SDM 3184 RA	C 3184 KM															
460	SDM 3092 F	23092 CAK/W33	HM 3092	MS 3092-88	310	220	250	163	680	850	450	85	970	200	1090		
	SDM 3092 RA	C 3092 KM/C3															
530	SDM 30/530 F	230/530 CAK/W33	HM 30/530	MS 30/600-530	360	240	270	185	780	960	510	85	1090	240	1200		
	SDM 30/530 RA	C 30/530 KM															
600	SDM 31/530 F	231/530 CAK/W33	HM 30/530	MS 30/600-530	410	325	355	272	870	1 065	550	85	1 220	240	1 360		
	SDM 31/530 RA	C 31/530 KM															
600	SDM 30/600 F	230/600 CAK/W33	HM 30/600	MS 30/600-530	410	325	355	200	870	1 065	550	85	1 220	240	1 360		
	SDM 30/600 RA	C 30/600 KM/C3															

Shaft diameter d <sub>a</sub>	Dimensions Housing						Shaft										Mass Housing		
	N <sub>1</sub>	N <sub>2</sub>	G	G <sub>1</sub>	G <sub>2</sub>		b <sub>a</sub>	b <sub>b</sub>	b <sub>c</sub> min.	b <sub>d</sub>	b <sub>e</sub>	b <sub>b</sub>	d <sub>c</sub>	d <sub>d</sub>	r		kg		
mm	mm	–					mm										–	mm	kg
340	30	50	M24	G1	G1.1/4		95	225	130	65	270	380	320	Tr 340x5	10	386			
	30	50	M24	G1	G2		130	295	110	48	353	390	320	Tr 340x5	10	572			
380	30	50	M24	G1	G1.1/4		95	230	135	70	280	420	360	Tr 380x5	10	475			
	30	50	M24	G1	G1.1/2		110	260	130	60	305	465	400	Tr 420x5	10	494			
420	30	50	M24	G1	G1.1/2		180	375	150	70	450	465	400	Tr 420x5	10	882			
	30	50	M24	G1	G1.1/2		110	270	140	70	320	510	430	Tr 460x5	10	750			
530	38	58	M30	G1	G2		135	300	140	65	365	580	500	Tr 530x6	10	914			
	38	58	M30	G1	G2		195	425	160	85	505	590	500	Tr 530x6	10	1 530			
600	38	58	M30	G1	G2		160	345	195	120	470	660	560	Tr 600x6	15	1 550			

<sup>1)</sup> 23(000) and 23(0)/(000) – spherical roller bearing, C... – CARB toroidal roller bearing. Only typical bearings are listed. Other bearing variants can also fit the housing.

### 13.5 SDM Yankee cylinder housings d 630 – 670 mm



Shaft diameter $d_a$	Housing Designation	Appropriate parts Bearing <sup>1)</sup>	Lock nut	Locking clip	Dimensions													
					Housing		Housing									Shaft		
					$A_1$	$A_3$	$A_4$	$C_a$	$D_a$	H	$H_1$	$H_2$	J	$J_1$	L			
mm	-	-			mm													
630	SDM 31/630 F SDM 31/630 RA	231/630 CAK/C3W33 C 31/630 KMB/HA3C4	HM 31/630	MS 31/630	510 <sup>2)</sup>	2)	315	1 030 <sup>2)</sup>	700 <sup>2)</sup>	1330	350	1500						
670	SDM 30/670 F SDM 30/670 RA	230/670 CAK/W33 C 30/670 KM/HA3C4	HM 30/670	MS 30/670	420	300	330	230	980	1180	620	85	1260	300	1380			

Shaft diameter $d_a$	Dimensions Housing		Shaft						Mass Housing						
	$N_1$	$N_2$	G	$G_1$	$G_2$	$b_a$	$b_b$	$b_c$ min.	$b_d$	$b_e$	$d_b$	$d_c$	$d_d$	r	
mm	mm	-				mm								mm	kg
630	38	58	M30	$G_1$	$G_2$	1)	1)	1)	1)	1)	710	590	Tr 630x6	1)	2 420
670	38	58	M30	$G_1$	$G_2$	190	395	150	65	475	750	630	Tr 670x6	15	1 420

<sup>1)</sup> 23(000) and 23(0)/(000) – spherical roller bearing, C... – CARB toroidal roller bearing. Only typical bearings are listed. Other bearing variants can also fit the housing.  
<sup>2)</sup> Contact SKF for missing values.

<sup>1)</sup> Contact SKF for missing values.