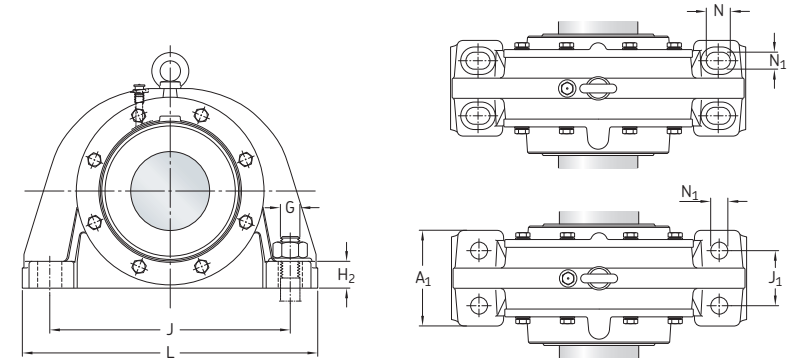
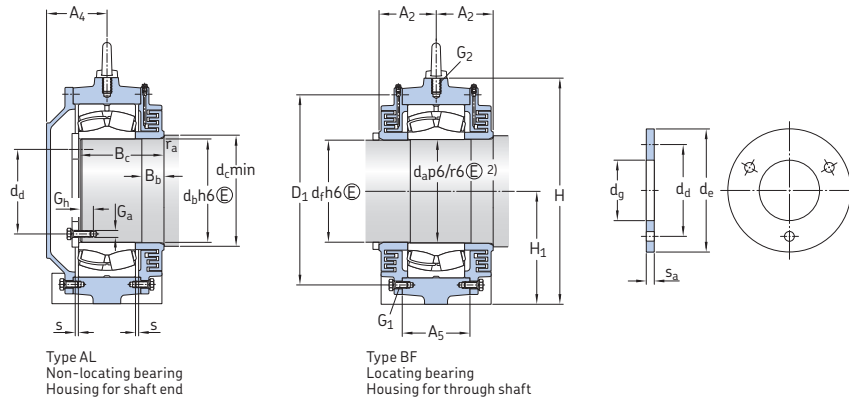


## 10.4 SBD plummer block housings for bearings on a cylindrical seat and a multi-stepped shaft

$d_a$  100 – 170 mm



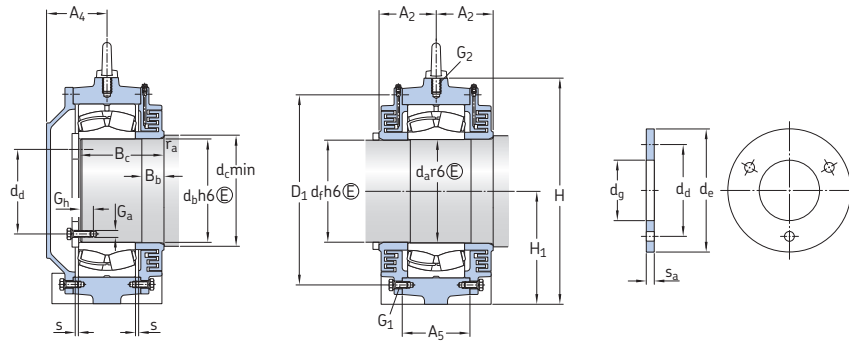
| Shaft diam.<br>$d_a$ | Housing     | Appropriate bearing <sup>1)</sup> | Dimensions Housing |       |       |       |       |     |       |       |     |       |     |    |
|----------------------|-------------|-----------------------------------|--------------------|-------|-------|-------|-------|-----|-------|-------|-----|-------|-----|----|
|                      |             |                                   | $A_1$              | $A_2$ | $A_4$ | $A_5$ | $D_1$ | H   | $H_1$ | $H_2$ | J   | $J_1$ | L   | N  |
| mm                   | -           | -                                 | mm                 |       |       |       |       |     |       |       |     |       |     |    |
| 100                  | SBDD 2220 G | 22220 E                           | 110                | 70    | 63    | 56    | 195   | 230 | 115   | 35    | 300 | 60    | 370 | -  |
| 110                  | SBDD 3122 G | 23122 CC/W33                      | 150                | 81    | 83    | 80    | 215   | 270 | 130   | 40    | 300 | 80    | 400 | 35 |
|                      | SBDD 2222 G | 22222 E                           | 120                | 78    | 68    | 64    | 215   | 260 | 130   | 38    | 340 | 60    | 410 | -  |
|                      | SBDD 3222 G | 23222 CC/W33                      | 130                | 91    | 76    | 90    | 230   | 285 | 140   | 42    | 350 | 70    | 440 | 35 |
| 120                  | SBDD 3024 G | 23024 CC/W33                      | 110                | 63    | 63    | 56    | 195   | 230 | 115   | 35    | 300 | 60    | 370 | -  |
|                      | SBDD 3124 G | 23124 CC/W33                      | 140                | 76    | 78    | 85    | 230   | 285 | 140   | 40    | 330 | 80    | 410 | 35 |
|                      | SBDD 2224 G | 22224 E                           | 130                | 80,5  | 68    | 70    | 230   | 275 | 140   | 40    | 360 | 70    | 430 | -  |
|                      | SBDD 3224 G | 23224 CC/W33                      | 140                | 93    | 78    | 95    | 245   | 305 | 150   | 42    | 370 | 75    | 470 | 35 |
| 130                  | SBDD 3026 G | 23026 CC/W33                      | 120                | 68    | 68    | 64    | 215   | 260 | 130   | 38    | 340 | 60    | 410 | -  |
|                      | SBDD 3126 G | 23126 CC/W33                      | 140                | 80    | 80    | 90    | 240   | 295 | 145   | 40    | 350 | 80    | 430 | 35 |
|                      | SBDD 2226 G | 22226 E                           | 140                | 88    | 70    | 70    | 245   | 290 | 145   | 42    | 370 | 80    | 455 | -  |
|                      | SBDD 3226 G | 23226 CC/W33                      | 150                | 103   | 78    | 100   | 260   | 325 | 160   | 45    | 400 | 85    | 500 | 40 |
| 140                  | SBDD 3028 G | 23028 CC/W33                      | 130                | 68    | 68    | 70    | 230   | 275 | 140   | 40    | 360 | 70    | 430 | -  |
|                      | SBDD 3128 G | 23128 CC/W33                      | 150                | 85    | 85    | 95    | 260   | 315 | 155   | 45    | 380 | 85    | 470 | 35 |
|                      | SBDD 2228 G | 22228 CC/W33                      | 160                | 94    | 83    | 82    | 275   | 330 | 165   | 50    | 420 | 95    | 510 | -  |
|                      | SBDD 3228 G | 23228 CC/W33                      | 160                | 108   | 88    | 110   | 285   | 350 | 170   | 50    | 430 | 85    | 530 | 40 |
| 150                  | SBDD 3030 G | 23030 CC/W33                      | 140                | 78    | 70    | 76    | 245   | 290 | 145   | 42    | 370 | 80    | 455 | -  |
|                      | SBDD 3130 G | 23130 CC/W33                      | 200                | 93    | 93    | 102   | 285   | 345 | 170   | 60    | 450 | 110   | 580 | 45 |
|                      | SBDD 2230 G | 22230 CC/W33                      | 170                | 98    | 88    | 90    | 300   | 360 | 180   | 52    | 450 | 100   | 540 | -  |
|                      | SBDD 3230 G | 23230 CC/W33                      | 170                | 113   | 93    | 120   | 305   | 375 | 180   | 54    | 450 | 90    | 550 | 45 |
| 160                  | SBDD 3032 G | 23032 CC/W33                      | 150                | 78    | 76    | 76    | 260   | 310 | 155   | 45    | 390 | 90    | 480 | -  |
|                      | SBDD 3132 G | 23132 CC/W33                      | 200                | 98    | 98    | 110   | 310   | 368 | 180   | 55    | 430 | 110   | 540 | 40 |
|                      | SBDD 2232 G | 22232 CC/W33                      | 180                | 101   | 88    | 96    | 315   | 370 | 185   | 55    | 480 | 105   | 570 | -  |
|                      | SBDD 3232 G | 23232 CC/W33                      | 180                | 118   | 98    | 130   | 330   | 395 | 190   | 58    | 490 | 105   | 600 | 45 |
| 170                  | SBDD 3034 G | 23034 CC/W33                      | 160                | 78    | 83    | 82    | 280   | 330 | 165   | 50    | 420 | 95    | 510 | -  |
|                      | SBDD 3134 G | 23134 CC/W33                      | 200                | 113   | 112   | 120   | 330   | 395 | 190   | 60    | 470 | 110   | 570 | 45 |
|                      | SBDD 2234 G | 22234 CC/W33                      | 190                | 112,5 | 97    | 104   | 335   | 400 | 200   | 60    | 510 | 110   | 600 | -  |
|                      | SBDD 3234 G | 23234 CC/W33                      | 200                | 128   | 103   | 135   | 345   | 410 | 200   | 62    | 525 | 110   | 640 | 45 |

| Shaft diam.<br>$d_a$ | Dimensions Housing |   |    |       |       | Eye bolt acc. to DIN 580<br>$G_2$ | Dimensions Shaft abutment and fillet |       |       |           |       |       |       | End plate |       |       |            |       | Mass Housing type A B            |     |     |
|----------------------|--------------------|---|----|-------|-------|-----------------------------------|--------------------------------------|-------|-------|-----------|-------|-------|-------|-----------|-------|-------|------------|-------|----------------------------------|-----|-----|
|                      | $N_1$              | s | G  | $G_1$ | $G_2$ |                                   | $B_b$                                | $B_c$ | $d_b$ | $d_c$ min | $d_r$ | $r_a$ | $G_a$ | $G_h$     | $d_d$ | $d_e$ | $d_{gmax}$ | $s_a$ | attachment bolts (for end plate) | A   | B   |
| mm                   | mm                 |   |    |       |       |                                   | mm                                   |       |       |           |       |       | mm    |           |       |       |            |       |                                  | kg  |     |
| 100                  | 24                 | 2 | 20 | M 8   | M 12  |                                   | 35                                   | 90    | 102   | 115       | 98    | 4     | M 10  | 18        | 75    | 115   | 35         | 10    | M 10×30                          | 23  | 25  |
|                      | 25                 | 2 | 20 | M 12  | M 12  |                                   | 30                                   | 107   | 112   | 125       | 108   | 4     | M 8   | 15        | 90    | 122   | 58         | 8     | M 8×25                           | 40  | 45  |
|                      | 24                 | 2 | 20 | M 8   | M 12  |                                   | 35                                   | 102   | 112   | 125       | 108   | 4     | M 10  | 18        | 85    | 128   | 42         | 10    | M 10×30                          | 37  | 40  |
| 110                  | 30                 | 2 | 24 | M 12  | M 16  |                                   | 32                                   | 123   | 112   | 125       | 108   | 4     | M 8   | 15        | 90    | 128   | 45         | 8     | M 8×25                           | 46  | 50  |
|                      | 24                 | 2 | 20 | M 8   | M 12  |                                   | 25                                   | 84    | 122   | 135       | 118   | 4     | M 10  | 18        | 95    | 132   | 58         | 10    | M 10×30                          | 19  | 20  |
|                      | 25                 | 2 | 20 | M 12  | M 12  |                                   | 30                                   | 105   | 122   | 135       | 118   | 4     | M 8   | 15        | 100   | 133   | 67         | 8     | M 8×25                           | 45  | 50  |
|                      | 28                 | 3 | 24 | M 8   | M 12  |                                   | 35                                   | 107   | 122   | 135       | 118   | 4     | M 10  | 18        | 95    | 138   | 52         | 10    | M 10×30                          | 43  | 46  |
| 120                  | 30                 | 2 | 24 | M 12  | M 16  |                                   | 32                                   | 128   | 122   | 135       | 118   | 4     | M 10  | 18        | 95    | 138   | 45         | 10    | M 10×30                          | 50  | 55  |
|                      | 24                 | 2 | 20 | M 8   | M 12  |                                   | 25                                   | 92    | 132   | 150       | 128   | 6     | M 10  | 18        | 105   | 145   | 65         | 10    | M 10×30                          | 28  | 30  |
|                      | 25                 | 2 | 20 | M 12  | M 12  |                                   | 30                                   | 110   | 132   | 150       | 128   | 6     | M 8   | 15        | 110   | 145   | 75         | 8     | M 8×25                           | 50  | 55  |
|                      | 28                 | 3 | 24 | M 10  | M 12  |                                   | 40                                   | 117   | 132   | 150       | 128   | 6     | M 10  | 18        | 105   | 150   | 60         | 10    | M 10×30                          | 52  | 56  |
| 130                  | 30                 | 2 | 24 | M 12  | M 16  |                                   | 35                                   | 140   | 132   | 150       | 128   | 6     | M 10  | 18        | 105   | 150   | 55         | 10    | M 10×30                          | 60  | 65  |
|                      | 24                 | 2 | 20 | M 8   | M 12  |                                   | 25                                   | 92    | 142   | 160       | 138   | 6     | M 10  | 18        | 115   | 155   | 75         | 10    | M 10×30                          | 32  | 35  |
|                      | 25                 | 2 | 20 | M 12  | M 12  |                                   | 30                                   | 116   | 142   | 160       | 138   | 6     | M 10  | 18        | 115   | 155   | 75         | 10    | M 10×30                          | 58  | 65  |
|                      | 35                 | 3 | 30 | M 10  | M 12  |                                   | 40                                   | 125   | 142   | 160       | 138   | 6     | M 10  | 18        | 115   | 162   | 68         | 10    | M 10×30                          | 65  | 70  |
| 140                  | 30                 | 3 | 24 | M 16  | M 20  |                                   | 35                                   | 145   | 142   | 160       | 138   | 6     | M 10  | 18        | 115   | 160   | 60         | 10    | M 10×30                          | 74  | 80  |
|                      | 28                 | 3 | 24 | M 10  | M 12  |                                   | 25                                   | 99    | 152   | 170       | 148   | 6     | M 10  | 18        | 125   | 165   | 85         | 10    | M 10×30                          | 37  | 40  |
|                      | 35                 | 3 | 24 | M 12  | M 16  |                                   | 30                                   | 130   | 152   | 170       | 148   | 6     | M 10  | 18        | 125   | 165   | 85         | 10    | M 10×30                          | 78  | 85  |
|                      | 35                 | 3 | 30 | M 12  | M 16  |                                   | 40                                   | 132   | 152   | 170       | 148   | 6     | M 10  | 18        | 125   | 175   | 75         | 10    | M 10×30                          | 77  | 82  |
| 150                  | 35                 | 3 | 30 | M 16  | M 20  |                                   | 40                                   | 158   | 152   | 170       | 148   | 6     | M 10  | 18        | 125   | 170   | 70         | 10    | M 10×30                          | 87  | 95  |
|                      | 28                 | 3 | 24 | M 10  | M 12  |                                   | 30                                   | 105   | 162   | 185       | 158   | 8     | M 10  | 18        | 135   | 175   | 95         | 10    | M 10×30                          | 41  | 45  |
|                      | 30                 | 3 | 24 | M 12  | M 16  |                                   | 30                                   | 138   | 162   | 185       | 158   | 8     | M 10  | 18        | 135   | 178   | 92         | 10    | M 10×30                          | 90  | 100 |
|                      | 35                 | 3 | 30 | M 12  | M 16  |                                   | 40                                   | 138   | 162   | 185       | 158   | 8     | M 12  | 20        | 130   | 185   | 75         | 12    | M 12×30                          | 90  | 96  |
| 160                  | 35                 | 3 | 30 | M 16  | M 20  |                                   | 40                                   | 167   | 162   | 185       | 158   | 8     | M 12  | 20        | 130   | 185   | 70         | 12    | M 12×30                          | 100 | 110 |
|                      | 28                 | 3 | 24 | M 10  | M 12  |                                   | 30                                   | 109   | 172   | 195       | 168   | 8     | M 10  | 18        | 145   | 185   | 105        | 10    | M 10×30                          | 50  | 55  |
|                      | 35                 | 3 | 30 | M 12  | M 20  |                                   | 40                                   | 154   | 172   | 195       | 168   | 8     | M 10  | 18        | 145   | 185   | 105        | 10    | M 10×30                          | 100 | 110 |
|                      | 35                 | 4 | 30 | M 12  | M 16  |                                   | 45                                   | 152   | 172   | 195       | 168   | 8     | M 16  | 25        | 130   | 200   | 60         | 16    | M 16×45                          | 103 | 110 |
| 170                  | 35                 | 3 | 30 | M 16  | M 20  |                                   | 40                                   | 179   | 172   | 195       | 168   | 8     | M 12  | 20        | 140   | 195   | 75         | 12    | M 12×30                          | 130 | 140 |

<sup>1)</sup> Only typical bearings are listed. Other bearing variants can also fit the housing.  
<sup>2)</sup> Tolerance p6 for shaft diameters up to 140 mm and tolerance r6 for larger sizes.

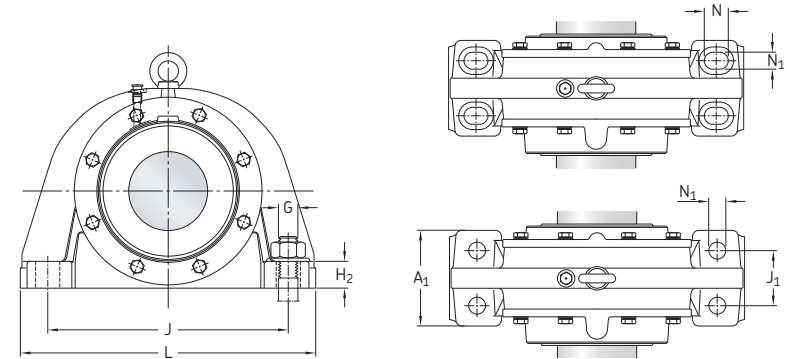
## 10.4 SBD plummer block housings for bearings on a cylindrical seat and a multi-stepped shaft

$d_a$  180 – 280 mm



Type AL  
Non-locating bearing  
Housing for shaft end

Type BF  
Locating bearing  
Housing for through shaft



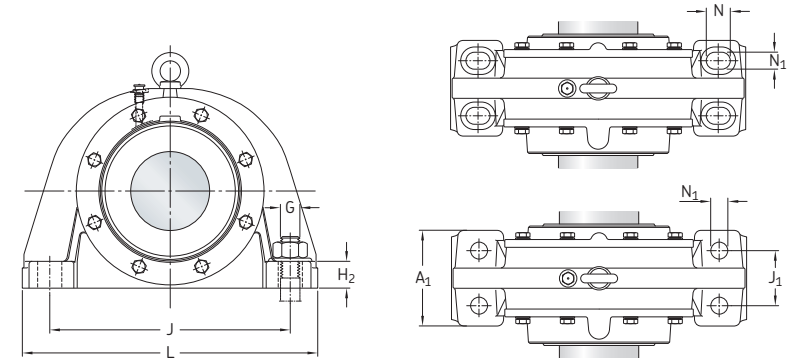
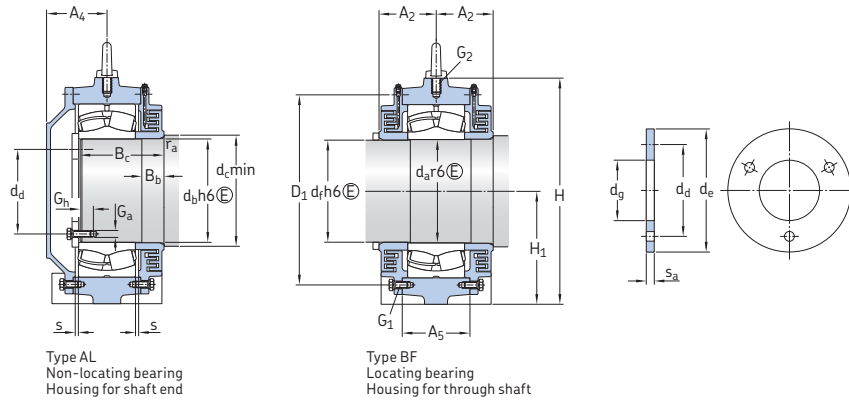
| Shaft diam.<br>$d_a$ | Housing     | Appropriate bearing <sup>1)</sup> | Dimensions Housing |       |       |       |       |     |       |       |     |       |      |    |  |
|----------------------|-------------|-----------------------------------|--------------------|-------|-------|-------|-------|-----|-------|-------|-----|-------|------|----|--|
|                      |             |                                   | $A_1$              | $A_2$ | $A_4$ | $A_5$ | $D_1$ | H   | $H_1$ | $H_2$ | J   | $J_1$ | L    | N  |  |
| mm                   | -           | -                                 | mm                 |       |       |       |       |     |       |       |     |       |      |    |  |
| 180                  | SBDD 3036 G | 23036 CC/W33                      | 170                | 83    | 88    | 90    | 305   | 360 | 180   | 52    | 450 | 100   | 540  | -  |  |
|                      | SBDD 3136 G | 23136 CC/W33                      | 200                | 118   | 116   | 125   | 350   | 410 | 200   | 60    | 490 | 105   | 600  | 45 |  |
|                      | SBDD 2236 G | 22236 CC/W33                      | 200                | 118   | 102   | 110   | 360   | 430 | 215   | 65    | 540 | 115   | 640  | -  |  |
|                      | SBDD 3236 G | 23236 CC/W33                      | 210                | 133   | 108   | 140   | 360   | 430 | 210   | 65    | 550 | 120   | 680  | 45 |  |
| 190                  | SBDD 3038 G | 23038 CC/W33                      | 180                | 93    | 88    | 96    | 315   | 370 | 185   | 55    | 480 | 105   | 570  | -  |  |
|                      | SBDD 3138 G | 23138 CC/W33                      | 210                | 123   | 120   | 130   | 370   | 435 | 210   | 65    | 550 | 120   | 680  | 45 |  |
|                      | SBDD 2238 G | 22238 CC/W33                      | 200                | 118   | 102   | 110   | 370   | 430 | 215   | 65    | 540 | 115   | 640  | -  |  |
|                      | SBDD 3238 G | 23238 CC/W33                      | 220                | 138   | 113   | 150   | 385   | 455 | 220   | 75    | 560 | 120   | 710  | 45 |  |
| 200                  | SBDD 3040 G | 23040 CC/W33                      | 190                | 97    | 97    | 104   | 340   | 400 | 200   | 60    | 510 | 110   | 600  | -  |  |
|                      | SBDD 3140 G | 23140 CC/W33                      | 220                | 127   | 127   | 135   | 380   | 455 | 220   | 85    | 560 | 120   | 710  | 52 |  |
|                      | SBDD 2240 G | 22240 CC/W33                      | 210                | 122   | 107   | 118   | 390   | 450 | 225   | 70    | 560 | 120   | 680  | -  |  |
|                      | SBDD 3240 G | 23240 CC/W33                      | 240                | 138   | 118   | 165   | 405   | 475 | 235   | 75    | 640 | 140   | 780  | 52 |  |
| 220                  | SBDD 3044 G | 23044 CC/W33                      | 200                | 102   | 102   | 110   | 370   | 430 | 215   | 65    | 540 | 115   | 640  | -  |  |
|                      | SBDD 3144 G | 23144 CC/W33                      | 230                | 135   | 135   | 150   | 420   | 485 | 235   | 75    | 640 | 140   | 780  | 52 |  |
|                      | SBDD 2244 G | 22244 CC/W33                      | 220                | 124,5 | 117   | 128   | 435   | 500 | 250   | 75    | 600 | 130   | 720  | -  |  |
|                      | SBDD 3244 G | 23244 CC/W33                      | 250                | 148   | 133   | 175   | 445   | 525 | 260   | 80    | 700 | 140   | 850  | 52 |  |
| 240                  | SBDD 3048 G | 23048 CC/W33                      | 210                | 102   | 107   | 118   | 390   | 450 | 225   | 70    | 560 | 120   | 680  | -  |  |
|                      | SBDD 3148 G | 23148 CC/W33                      | 250                | 152   | 142   | 160   | 455   | 550 | 270   | 80    | 720 | 140   | 890  | 52 |  |
|                      | SBDD 2248 G | 22248 CC/W33                      | 250                | 130   | 132   | 144   | 490   | 570 | 285   | 85    | 690 | 150   | 820  | -  |  |
|                      | SBDD 3248 G | 23248 CC/W33                      | 250                | 148   | 148   | 190   | 490   | 590 | 290   | 90    | 750 | 140   | 900  | 52 |  |
| 260                  | SBDD 3052 G | 23052 CC/W33                      | 220                | 107   | 117   | 128   | 435   | 500 | 250   | 75    | 600 | 130   | 720  | -  |  |
|                      | SBDD 3152 G | 23152 CC/W33                      | 250                | 152   | 152   | 175   | 490   | 590 | 290   | 90    | 750 | 140   | 900  | 52 |  |
|                      | SBDD 2252 G | 22252 CC/W33                      | 260                | 145   | 137   | 154   | 520   | 590 | 295   | 90    | 730 | 160   | 860  | -  |  |
|                      | SBDD 3252 G | 23252 CC/W33                      | 290                | 167   | 158   | 205   | 535   | 625 | 310   | 95    | 800 | 160   | 960  | 65 |  |
| 280                  | SBDD 3056 G | 23056 CC/W33                      | 240                | 117   | 122   | 128   | 455   | 520 | 260   | 80    | 630 | 140   | 760  | -  |  |
|                      | SBDD 3156 G | 23156 CC/W33                      | 250                | 157   | 165   | 175   | 510   | 590 | 290   | 90    | 750 | 140   | 900  | 65 |  |
|                      | SBDD 2256 G | 22256 CC/W33                      | 270                | 152   | 147   | 158   | 555   | 630 | 315   | 95    | 770 | 170   | 900  | -  |  |
|                      | SBDD 3256 G | 23256 CC/W33                      | 300                | 178   | 163   | 210   | 555   | 645 | 320   | 100   | 840 | 170   | 1000 | 65 |  |

| Shaft diam.<br>$d_a$ | Dimensions Housing |   |    |       |     | Eye bolt acc. to DIN 580<br>$G_2$ | Dimensions Shaft abutment and fillet |       |       |           |       | End plate |       |       |       |       | Mass Housing type A B |        |                                  |     |
|----------------------|--------------------|---|----|-------|-----|-----------------------------------|--------------------------------------|-------|-------|-----------|-------|-----------|-------|-------|-------|-------|-----------------------|--------|----------------------------------|-----|
|                      | $N_1$              | s | G  | $G_1$ | $G$ |                                   | $B_b$                                | $B_c$ | $d_b$ | $d_c$ min | $d_f$ | $r_a$     | $G_a$ | $G_h$ | $d_d$ | $d_e$ | $d_{gmax}$            | $s_a$  | attachment bolts (for end plate) | kg  |
| mm                   | mm                 |   |    |       |     | -                                 | mm                                   |       |       |           |       | mm        |       |       |       |       | kg                    |        |                                  |     |
| 180                  | 35                 | 3 | 30 | M12   | M16 | 30                                | 117                                  | 182   | 205   | 178       | 8     | M10       | 18    | 155   | 195   | 115   | 10                    | M10x30 | 64                               | 70  |
|                      | 35                 | 3 | 30 | M16   | M20 | 40                                | 163                                  | 182   | 205   | 178       | 8     | M12       | 20    | 150   | 195   | 105   | 12                    | M12x30 | 118                              | 130 |
|                      | 42                 | 4 | 36 | M16   | M20 | 45                                | 157                                  | 182   | 205   | 178       | 8     | M16       | 25    | 140   | 210   | 70    | 16                    | M16x45 | 112                              | 120 |
|                      | 35                 | 3 | 30 | M16   | M20 | 45                                | 185                                  | 182   | 205   | 178       | 8     | M12       | 20    | 150   | 205   | 85    | 12                    | M12x30 | 147                              | 160 |
| 190                  | 35                 | 3 | 30 | M12   | M16 | 30                                | 128                                  | 192   | 215   | 188       | 8     | M12       | 20    | 160   | 205   | 115   | 12                    | M12x30 | 74                               | 80  |
|                      | 35                 | 3 | 36 | M16   | M20 | 40                                | 172                                  | 192   | 215   | 188       | 8     | M12       | 20    | 160   | 210   | 110   | 12                    | M12x30 | 146                              | 160 |
|                      | 42                 | 4 | 36 | M16   | M20 | 45                                | 160                                  | 192   | 215   | 188       | 8     | M16       | 25    | 150   | 220   | 80    | 16                    | M16x45 | 126                              | 135 |
|                      | 35                 | 4 | 30 | M16   | M20 | 45                                | 197                                  | 192   | 215   | 188       | 8     | M12       | 20    | 160   | 215   | 95    | 12                    | M12x30 | 170                              | 185 |
| 200                  | 35                 | 4 | 30 | M12   | M16 | 35                                | 135                                  | 202   | 225   | 198       | 8     | M16       | 25    | 160   | 215   | 105   | 16                    | M16x45 | 83                               | 90  |
|                      | 42                 | 3 | 36 | M16   | M24 | 40                                | 180                                  | 202   | 225   | 198       | 8     | M12       | 20    | 170   | 220   | 120   | 12                    | M12x30 | 175                              | 190 |
|                      | 42                 | 4 | 36 | M16   | M20 | 45                                | 167                                  | 202   | 225   | 198       | 8     | M20       | 30    | 150   | 235   | 65    | 20                    | M20x55 | 145                              | 155 |
|                      | 42                 | 4 | 36 | M16   | M24 | 45                                | 198                                  | 202   | 225   | 198       | 8     | M16       | 25    | 160   | 230   | 80    | 16                    | M16x45 | 200                              | 220 |
| 220                  | 42                 | 4 | 36 | M16   | M20 | 35                                | 144                                  | 222   | 245   | 218       | 8     | M16       | 25    | 180   | 240   | 120   | 16                    | M16x45 | 107                              | 115 |
|                      | 42                 | 4 | 36 | M16   | M24 | 45                                | 191                                  | 222   | 245   | 218       | 8     | M16       | 25    | 180   | 245   | 115   | 16                    | M16x45 | 205                              | 220 |
|                      | 42                 | 4 | 36 | M16   | M20 | 45                                | 175                                  | 222   | 245   | 218       | 8     | M20       | 30    | 170   | 260   | 80    | 20                    | M20x55 | 187                              | 200 |
|                      | 42                 | 4 | 36 | M20   | M24 | 45                                | 216                                  | 222   | 245   | 218       | 8     | M16       | 25    | 180   | 255   | 95    | 16                    | M16x45 | 270                              | 290 |
| 240                  | 42                 | 4 | 36 | M16   | M20 | 35                                | 145                                  | 242   | 265   | 238       | 8     | M20       | 30    | 190   | 260   | 120   | 20                    | M20x55 | 120                              | 130 |
|                      | 42                 | 4 | 36 | M20   | M24 | 50                                | 212                                  | 242   | 265   | 238       | 8     | M16       | 25    | 200   | 265   | 135   | 16                    | M16x45 | 250                              | 270 |
|                      | 42                 | 5 | 36 | M20   | M24 | 45                                | 186                                  | 242   | 265   | 238       | 8     | M20       | 30    | 190   | 285   | 95    | 20                    | M20x55 | 235                              | 250 |
|                      | 42                 | 5 | 36 | M20   | M24 | 45                                | 224                                  | 242   | 265   | 238       | 8     | M16       | 25    | 200   | 290   | 110   | 16                    | M16x45 | 345                              | 370 |
| 260                  | 42                 | 4 | 36 | M16   | M20 | 35                                | 155                                  | 262   | 285   | 258       | 8     | M20       | 30    | 210   | 285   | 135   | 20                    | M20x55 | 153                              | 165 |
|                      | 42                 | 4 | 36 | M20   | M24 | 50                                | 220                                  | 262   | 285   | 258       | 8     | M16       | 25    | 220   | 285   | 155   | 16                    | M16x45 | 300                              | 320 |
|                      | 42                 | 5 | 36 | M20   | M24 | 50                                | 205                                  | 262   | 285   | 258       | 8     | M20       | 30    | 210   | 305   | 95    | 20                    | M20x55 | 290                              | 310 |
|                      | 42                 | 5 | 36 | M20   | M24 | 45                                | 249                                  | 262   | 285   | 258       | 8     | M16       | 25    | 220   | 305   | 115   | 16                    | M16x45 | 435                              | 470 |
| 280                  | 42                 | 5 | 36 | M16   | M20 | 35                                | 166                                  | 282   | 305   | 278       | 8     | M20       | 30    | 230   | 305   | 155   | 20                    | M20x55 | 177                              | 190 |
|                      | 42                 | 5 | 36 | M24   | M30 | 50                                | 225                                  | 282   | 305   | 278       | 8     | M16       | 25    | 240   | 305   | 175   | 16                    | M16x45 | 325                              | 350 |
|                      | 42                 | 5 | 36 | M20   | M24 | 50                                | 212                                  | 282   | 305   | 278       | 8     | M24       | 35    | 220   | 325   | 195   | 24                    | M24x65 | 330                              | 350 |
|                      | 42                 | 5 | 36 | M24   | M30 | 50                                | 261                                  | 282   | 305   | 278       | 8     | M20       | 30    | 230   | 325   | 80    | 20                    | M20x55 | 490                              | 530 |

<sup>1)</sup> Only typical bearings are listed. Other bearing variants can also fit the housing.

## 10.4 SBD plummer block housings for bearings on a cylindrical seat and a multi-stepped shaft

$d_a$  300 – 420 mm



| Shaft diam.<br>$d_a$ | Housing     | Appropriate bearing <sup>1)</sup> | Dimensions Housing |       |       |       |       |     |       |       |      |       |      |    |
|----------------------|-------------|-----------------------------------|--------------------|-------|-------|-------|-------|-----|-------|-------|------|-------|------|----|
|                      |             |                                   | $A_1$              | $A_2$ | $A_4$ | $A_5$ | $D_1$ | H   | $H_1$ | $H_2$ | J    | $J_1$ | L    | N  |
| mm                   | -           | -                                 | mm                 |       |       |       |       |     |       |       |      |       |      |    |
| 300                  | SBDD 3060 G | 23060 CC/W33                      | 250                | 122   | 132   | 144   | 500   | 570 | 285   | 85    | 690  | 150   | 820  | -  |
|                      | SBDD 3160 G | 23160 CC/W33                      | 300                | 162   | 167   | 190   | 550   | 655 | 320   | 100   | 840  | 170   | 1000 | 65 |
|                      | SBDD 2260 G | 22260 CC/W33                      | 280                | 160   | 152   | 168   | 585   | 660 | 330   | 100   | 820  | 180   | 960  | -  |
|                      | SBDD 3260 G | 23260 CC/W33                      | 330                | 182   | 187   | 230   | 600   | 705 | 350   | 105   | 920  | 180   | 1100 | 75 |
| 320                  | SBDD 3064 G | 23064 CC/W33                      | 260                | 122   | 137   | 154   | 520   | 590 | 295   | 90    | 730  | 160   | 860  | -  |
|                      | SBDD 3164 G | 23164 CC/W33                      | 300                | 177   | 187   | 210   | 590   | 702 | 350   | 100   | 940  | 160   | 1150 | 65 |
|                      | SBDD 2264 G | 22264 CC/W33                      | 320                | 175   | 167   | 180   | 640   | 720 | 360   | 110   | 900  | 200   | 1060 | -  |
|                      | SBDD 3264 G | 23264 CC/W33                      | 360                | 192   | 187   | 250   | 640   | 760 | 370   | 115   | 960  | 200   | 1150 | 75 |
| 340                  | SBDD 3068 G | 23068 CC/W33                      | 270                | 132   | 147   | 158   | 565   | 630 | 315   | 95    | 770  | 170   | 900  | -  |
|                      | SBDD 3168 G | 23168 CC/W33                      | 360                | 197   | 237   | 220   | 630   | 735 | 370   | 115   | 960  | 200   | 1150 | 75 |
|                      | SBDD 3268 G | 23268 CA/W33                      | 380                | 202   | 237   | 265   | 680   | 810 | 390   | 125   | 980  | 200   | 1200 | 75 |
| 360                  | SBDD 3072 G | 23072 CC/W33                      | 280                | 132   | 152   | 168   | 585   | 660 | 330   | 100   | 820  | 180   | 960  | -  |
|                      | SBDD 3172 G | 23172 CC/W33                      | 370                | 197   | 243   | 225   | 650   | 760 | 380   | 115   | 1000 | 200   | 1200 | 75 |
|                      | SBDD 3272 G | 23272 CA/W33                      | 400                | 227   | 247   | 275   | 710   | 825 | 410   | 130   | 1040 | 210   | 1280 | 80 |
| 380                  | SBDD 3076 G | 23076 CC/W33                      | 300                | 137   | 157   | 168   | 605   | 680 | 340   | 105   | 840  | 190   | 1000 | -  |
|                      | SBDD 3176 G | 23176 CA/W33                      | 380                | 202   | 254   | 230   | 680   | 790 | 390   | 125   | 1000 | 200   | 1200 | 75 |
|                      | SBDD 3276 G | 23276 CA/W33                      | 405                | 232   | 257   | 295   | 745   | 880 | 425   | 135   | 1100 | 225   | 1350 | 85 |
| 400                  | SBDD 3080 G | 23080 CC/W33                      | 320                | 142   | 167   | 180   | 650   | 720 | 360   | 110   | 900  | 200   | 1060 | -  |
|                      | SBDD 3180 G | 23180 CA/W33                      | 400                | 197   | 247   | 235   | 710   | 845 | 410   | 130   | 1040 | 210   | 1280 | 80 |
|                      | SBDD 3280 G | 23280 CA/W33                      | 450                | 242   | 257   | 300   | 790   | 905 | 450   | 145   | 1160 | 240   | 1430 | 85 |
| 420                  | SBDD 3084 G | 23084 CA/W33                      | 340                | 147   | 167   | 180   | 670   | 750 | 375   | 115   | 940  | 210   | 1100 | -  |
|                      | SBDD 3184 G | 23184 C/W33                       | 420                | 212   | 257   | 260   | 760   | 900 | 450   | 135   | 1100 | 210   | 1350 | 85 |
|                      | SBDD 3284 G | 23284 CA/W33                      | 470                | 252   | 267   | 315   | 835   | 955 | 470   | 150   | 1220 | 255   | 1500 | 90 |

| Shaft diam.<br>$d_a$ | Dimensions Housing |   |    |       |     | Eye bolt acc. to DIN 580<br>$G_2$ | Dimensions Shaft abutment and fillet |       |       |           |       | End plate |       |       |       |       | Mass Housing type |        |                                  |      |
|----------------------|--------------------|---|----|-------|-----|-----------------------------------|--------------------------------------|-------|-------|-----------|-------|-----------|-------|-------|-------|-------|-------------------|--------|----------------------------------|------|
|                      | $N_1$              | s | G  | $G_1$ | $G$ |                                   | $B_b$                                | $B_c$ | $d_b$ | $d_c$ min | $d_r$ | $r_a$     | $G_a$ | $G_h$ | $d_d$ | $d_e$ | $d_{gmax}$        | $s_a$  | attachment bolts (for end plate) | A    |
| mm                   | mm                 |   |    |       |     | -                                 | mm                                   |       |       |           |       | mm        |       |       |       |       | kg                |        |                                  |      |
| 300                  | 42                 | 5 | 36 | M20   | M24 | 35                                | 177                                  | 302   | 325   | 298       | 8     | M20       | 30    | 250   | 325   | 175   | 20                | M20x55 | 215                              | 230  |
|                      | 42                 | 5 | 36 | M24   | M30 | 50                                | 237                                  | 302   | 325   | 298       | 8     | M20       | 30    | 250   | 325   | 175   | 20                | M20x55 | 400                              | 430  |
|                      | 42                 | 5 | 36 | M20   | M24 | 50                                | 225                                  | 302   | 325   | 298       | 8     | M24       | 35    | 240   | 350   | 105   | 24                | M24x65 | 400                              | 430  |
|                      | 56                 | 6 | 48 | M24   | M30 | 50                                | 273                                  | 302   | 325   | 298       | 8     | M20       | 30    | 250   | 350   | 120   | 20                | M20x55 | 590                              | 640  |
| 320                  | 42                 | 5 | 36 | M20   | M24 | 35                                | 179                                  | 322   | 345   | 318       | 8     | M20       | 30    | 270   | 345   | 195   | 20                | M20x55 | 240                              | 255  |
|                      | 42                 | 5 | 36 | M24   | M30 | 50                                | 260                                  | 322   | 345   | 318       | 8     | M20       | 30    | 270   | 350   | 190   | 20                | M20x55 | 490                              | 530  |
|                      | 56                 | 5 | 48 | M24   | M30 | 55                                | 245                                  | 322   | 345   | 318       | 8     | M24       | 35    | 260   | 375   | 120   | 24                | M24x65 | 485                              | 520  |
|                      | 56                 | 6 | 48 | M24   | M30 | 50                                | 291                                  | 322   | 345   | 318       | 8     | M24       | 35    | 260   | 375   | 110   | 24                | M24x65 | 700                              | 760  |
| 340                  | 42                 | 6 | 36 | M20   | M24 | 40                                | 194                                  | 342   | 365   | 338       | 8     | M24       | 35    | 280   | 370   | 190   | 24                | M24x65 | 280                              | 305  |
|                      | 56                 | 6 | 48 | M24   | M30 | 60                                | 287                                  | 342   | 365   | 338       | 8     | M24       | 35    | 280   | 370   | 190   | 24                | M24x65 | 590                              | 630  |
|                      | 60                 | 6 | 56 | M24   | M36 | 50                                | 308                                  | 342   | 365   | 338       | 8     | M24       | 35    | 280   | 420   | 125   | 24                | M24x65 | 830                              | 900  |
| 360                  | 42                 | 6 | 36 | M20   | M24 | 40                                | 194                                  | 362   | 385   | 358       | 8     | M24       | 35    | 300   | 390   | 210   | 24                | M24x65 | 315                              | 340  |
|                      | 56                 | 6 | 48 | M24   | M30 | 60                                | 288                                  | 362   | 385   | 358       | 8     | M24       | 35    | 300   | 390   | 210   | 24                | M24x65 | 660                              | 700  |
|                      | 68                 | 7 | 64 | M24   | M36 | 70                                | 337                                  | 362   | 385   | 358       | 8     | M24       | 35    | 300   | 440   | 145   | 24                | M24x65 | 950                              | 1020 |
| 380                  | 56                 | 6 | 48 | M20   | M24 | 40                                | 200                                  | 382   | 405   | 378       | 8     | M24       | 35    | 320   | 410   | 230   | 24                | M24x65 | 350                              | 380  |
|                      | 60                 | 6 | 56 | M30   | M30 | 60                                | 294                                  | 382   | 405   | 378       | 8     | M24       | 35    | 320   | 410   | 230   | 24                | M24x65 | 730                              | 770  |
|                      | 68                 | 7 | 64 | M30   | M36 | 70                                | 346                                  | 382   | 405   | 378       | 8     | M30       | 45    | 305   | 465   | 130   | 30                | M30x80 | 1060                             | 1140 |
| 400                  | 56                 | 6 | 48 | M24   | M30 | 40                                | 211                                  | 402   | 425   | 398       | 8     | M24       | 35    | 340   | 430   | 250   | 24                | M24x65 | 420                              | 450  |
|                      | 68                 | 7 | 64 | M30   | M36 | 60                                | 291                                  | 402   | 425   | 398       | 8     | M24       | 35    | 340   | 430   | 250   | 24                | M24x65 | 820                              | 870  |
|                      | 68                 | 7 | 64 | M30   | M36 | 70                                | 364                                  | 402   | 425   | 398       | 8     | M30       | 45    | 325   | 475   | 145   | 30                | M30x80 | 1240                             | 1330 |
| 420                  | 56                 | 6 | 48 | M24   | M30 | 40                                | 217                                  | 422   | 445   | 418       | 8     | M30       | 40    | 345   | 450   | 240   | 30                | M30x80 | 465                              | 500  |
|                      | 68                 | 7 | 64 | M30   | M36 | 60                                | 318                                  | 422   | 445   | 418       | 8     | M30       | 45    | 345   | 450   | 240   | 30                | M30x80 | 1000                             | 1070 |
|                      | 72                 | 8 | 64 | M30   | M36 | 70                                | 380                                  | 422   | 445   | 418       | 8     | M30       | 45    | 345   | 520   | 155   | 30                | M30x80 | 1500                             | 1600 |

<sup>1)</sup> Only typical bearings are listed. Other bearing variants can also fit the housing.